

LMP 900-901 series

Filter element according to DIN 24550

Maximum pressure up to 30 bar - Flow rate up to 2000 l/min



The correct filter sizing have to be based on the variable pressure drop depending by the application. For example, for the return filter the pressure drop have to be in the range 0.4 - 0.6 bar.

The pressure drop calculation is performed by adding together the value of the housing with the value of the filter element. The pressure drop in the housing is proportional to the fluid density (kg/dm³); all the graphs in the catalogue are referred to mineral oil with density of 0.86 kg/dm³.

The filter element pressure drop is proportional to its viscosity (mm²/s), the corrective factor Y is related to an oil viscosity different than 30 mm²/s.

Sizing data for single cartridge, head at top

Δp_c = Filter housing pressure drop [bar]

Δp_e = Filter element pressure drop [bar]

Y = Multiplication factor Y (see correspondent table), depending on the filter element size, on the filter element length and on the filter media

Q = flow rate (l/min)

V1 reference viscosity = 30 mm²/s (cSt)

V2 = operating viscosity in mm²/s (cSt)

$\Delta p_e = Y : 1000 \times Q \times (V2/V1)$

$\Delta p_{Tot.} = \Delta p_c + \Delta p_e$

Calculation examples with HLP Mineral oil Variation in viscosity

Application data:

Top tank return filter

Filter with in-line connections

Pressure Pmax = 10 bar

Flow rate Q = 120 l/min

Viscosity V2 = 46 mm²/s (cSt)

Oil viscosity = 0.86 kg/dm³

Required filtration efficiency = 25 µm with absolute filtration

With bypass valve and 1 1/4" inlet connection

From the working pressure and the flow rate we understand it should be possible using the following top tank return filter series: MPT, MPH and FRI. Let's proceed with MPT series.

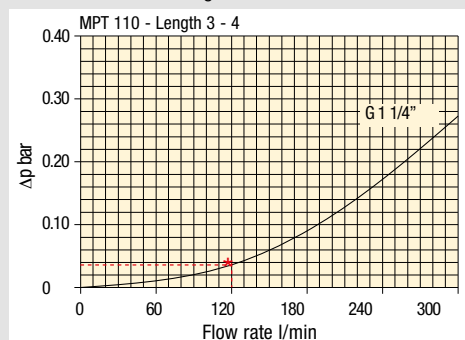
The size 20 doesn't achieve the required flow rate, therefore we have to consider the size 100. The final version of size 100 (101, 104, 110, 120 and 114) will be then defined in function of the mounting characteristics.

$\Delta p_c = 0.03 \text{ bar}$ (* see graphic below, considering size 100 with the max available length to get the lowest pressure drop)

$\Delta p_e = (2.0 : 1000) \times 120 \times (46/30) = 0.37 \text{ bar}$

$\Delta p_{Tot.} = 0.03 + 0.37 = 0.4 \text{ bar}$

The selection is correct because the total pressure drop value is inside the admissible range for top tank return filters. It is of course possible trying to find a different solution, according to the mounting position or to other commercial need, repeating the previous steps while using a different series or length.



Filter housings Δp pressure drop.

The curves are plotted using mineral oil with density of 0.86 kg/dm³ in compliance with ISO 3968. Δp varies proportionally with density.

Corrective factor Y, to be used for the filter element pressure drop calculation. The values depend to the filter size and length and to the filter media.

Reference viscosity 30 mm²/s

Return filters

| Filter element Type | Absolute filtration H Series | | | | | Nominal filtration N Series | | | |
|---------------------|------------------------------|-------|-------|-------|-------|-----------------------------|------|-------------|------|
| | A03 | A06 | A10 | A16 | A25 | P10 | P25 | M25 M60 M90 | |
| MF 020 | 1 | 74.00 | 50.08 | 20.00 | 16.00 | 9.00 | 6.43 | 5.51 | 4.40 |
| | 2 | 29.20 | 24.12 | 8.00 | 7.22 | 5.00 | 3.33 | 2.85 | 2.00 |
| | 3 | 22.00 | 19.00 | 6.56 | 5.33 | 4.33 | 1.68 | 1.44 | 1.30 |
| MF 030 MFX 030 | 1 | 74.00 | 50.08 | 20.00 | 16.00 | 9.00 | 6.43 | 5.51 | 3.40 |
| MF 100 MFX 100 | 1 | 28.20 | 24.40 | 8.67 | 8.17 | 6.88 | 4.62 | 3.96 | 1.25 |
| | 2 | 17.33 | 12.50 | 6.86 | 5.70 | 4.00 | 3.05 | 2.47 | 1.10 |
| | 3 | 10.25 | 9.00 | 3.65 | 3.33 | 2.50 | 1.63 | 1.32 | 0.96 |
| | 4 | 6.10 | 5.40 | 2.30 | 2.20 | 2.00 | 1.19 | 0.96 | 0.82 |
| MF 180 MFX 180 | 1 | 3.67 | 3.05 | 1.64 | 1.56 | 1.24 | 1.18 | 1.06 | 0.26 |
| | 2 | 1.69 | 1.37 | 0.68 | 0.54 | 0.51 | 0.43 | 0.39 | 0.12 |
| MF 190 MFX 190 | 2 | 1.69 | 1.37 | 0.60 | 0.49 | 0.44 | 0.35 | 0.31 | 0.11 |
| MF 400 MFX 400 | 1 | 3.20 | 2.75 | 1.39 | 1.33 | 1.06 | 0.96 | 0.87 | 0.22 |
| | 2 | 2.00 | 1.87 | 0.88 | 0.85 | 0.55 | 0.49 | 0.45 | 0.13 |
| | 3 | 1.90 | 1.60 | 0.63 | 0.51 | 0.49 | 0.39 | 0.35 | 0.11 |
| MF 750 MFX 750 | 1 | 1.08 | 0.84 | 0.49 | 0.36 | 0.26 | 0.21 | 0.19 | 0.06 |
| CU 025 | | 78.00 | 48.00 | 28.00 | 24.00 | 9.33 | 9.33 | 8.51 | 1.25 |
| CU 040 | | 25.88 | 20.88 | 10.44 | 10.00 | 3.78 | 3.78 | 3.30 | 1.25 |
| CU 100 | | 15.20 | 14.53 | 5.14 | 4.95 | 2.00 | 2.00 | 0.17 | 1.10 |
| CU 250 | | 3.25 | 2.55 | 1.55 | 1.35 | 0.71 | 0.71 | 0.59 | 0.25 |
| CU 630 | | 1.96 | 1.68 | 0.85 | 0.72 | 0.42 | 0.42 | 0.36 | 0.09 |
| CU 850 | | 1.06 | 0.84 | 0.42 | 0.33 | 0.17 | 0.17 | 0.13 | 0.04 |
| MR 100 | 1 | 19.00 | 17.00 | 6.90 | 6.30 | 4.60 | 2.94 | 2.52 | 1.60 |
| | 2 | 11.70 | 10.80 | 4.40 | 4.30 | 3.00 | 2.94 | 2.52 | 1.37 |
| | 3 | 7.80 | 6.87 | 3.70 | 3.10 | 2.70 | 2.14 | 1.84 | 1.34 |
| | 4 | 5.50 | 4.97 | 2.60 | 2.40 | 2.18 | 1.72 | 1.47 | 1.34 |
| | 5 | 4.20 | 3.84 | 2.36 | 2.15 | 1.90 | 1.60 | 1.37 | 1.34 |
| MR 250 | 1 | 5.35 | 4.85 | 2.32 | 1.92 | 1.50 | 1.38 | 1.20 | 0.15 |
| | 2 | 4.00 | 3.28 | 1.44 | 1.10 | 1.07 | 0.96 | 0.83 | 0.13 |
| | 3 | 2.60 | 2.20 | 1.08 | 1.00 | 0.86 | 0.77 | 0.64 | 0.12 |
| | 4 | 1.84 | 1.56 | 0.68 | 0.56 | 0.44 | 0.37 | 0.23 | 0.11 |
| MR 630 | 1 | 3.10 | 2.48 | 1.32 | 1.14 | 0.92 | 0.83 | 0.73 | 0.09 |
| | 2 | 2.06 | 1.92 | 0.82 | 0.76 | 0.38 | 0.33 | 0.27 | 0.08 |
| | 3 | 1.48 | 1.30 | 0.60 | 0.56 | 0.26 | 0.22 | 0.17 | 0.08 |
| | 4 | 1.30 | 1.20 | 0.48 | 0.40 | 0.25 | 0.21 | 0.16 | 0.08 |
| | 5 | 0.74 | 0.65 | 0.30 | 0.28 | 0.13 | 0.10 | 0.08 | 0.04 |
| MR 850 | 1 | 0.60 | 0.43 | 0.34 | 0.25 | 0.13 | 0.12 | 0.09 | 0.03 |
| | 2 | 0.37 | 0.26 | 0.23 | 0.21 | 0.11 | 0.08 | 0.07 | 0.03 |
| | 3 | 0.27 | 0.18 | 0.17 | 0.17 | 0.05 | 0.04 | 0.04 | 0.02 |
| | 4 | 0.23 | 0.16 | 0.13 | 0.12 | 0.04 | 0.03 | 0.03 | 0.02 |

Corrective factor Y, to be used for the filter element pressure drop calculation.
The values depend to the filter size and lenght and to the filter media.

Reference viscosity 30 mm²/s

Suction filters

| Filter element | Nominal filtration N Series | |
|----------------|--------------------------------|-----|
| | P10 | P25 |
| SF 250 | 65 | 21 |

Return / Suction filters

| Filter element | Absolute filtration | | | |
|----------------|---------------------|------|------|------|
| | A10 | A16 | A25 | |
| RSX 116 | 1 | 5.12 | 4.33 | 3.85 |
| | 2 | 2.22 | 1.87 | 1.22 |
| RSX 165 | 1 | 2.06 | 1.75 | 1.46 |
| | 2 | 1.24 | 1.05 | 0.96 |
| | 3 | 0.94 | 0.86 | 0.61 |

Low & Medium pressure filters

| Filter element | Type | Absolute filtration N-W Series | | | | | Nominal filtration N Series | | |
|----------------|---------------|-----------------------------------|-------|------|------|------|--------------------------------|------|------|
| | | A03 | A06 | A10 | A16 | A25 | P10 | P25 | M25 |
| CU 110 | 1 | 16.25 | 15.16 | 8.75 | 8.14 | 5.87 | 2.86 | 2.65 | 0.14 |
| | 2 | 12.62 | 10.44 | 6.11 | 6.02 | 4.15 | 1.60 | 1.49 | 0.12 |
| | 3 | 8.57 | 7.95 | 5.07 | 4.07 | 2.40 | 1.24 | 1.15 | 0.11 |
| | 4 | 5.76 | 4.05 | 2.80 | 2.36 | 1.14 | 0.91 | 0.85 | 0.05 |
| CU 210 | 1 | 5.30 | 4.80 | 2.00 | 1.66 | 1.32 | 0.56 | 0.43 | 0.12 |
| | 2 | 3.44 | 2.95 | 1.24 | 1.09 | 0.70 | 0.42 | 0.35 | 0.09 |
| | 3 | 2.40 | 1.70 | 0.94 | 0.84 | 0.54 | 0.33 | 0.23 | 0.05 |
| DN | 016 | 7.95 | 7.20 | 3.00 | 2.49 | 1.98 | 0.84 | 0.65 | 0.18 |
| | 025 | 5.00 | 4.53 | 1.89 | 1.57 | 1.25 | 0.53 | 0.41 | 0.11 |
| | 040 | 3.13 | 2.66 | 1.12 | 0.98 | 0.63 | 0.38 | 0.32 | 0.08 |
| CU 400 | 2 | 3.13 | 2.55 | 1.46 | 1.22 | 0.78 | 0.75 | 0.64 | 0.19 |
| | 3 | 2.15 | 1.70 | 0.94 | 0.78 | 0.50 | 0.40 | 0.34 | 0.10 |
| | 4 | 1.60 | 1.28 | 0.71 | 0.61 | 0.40 | 0.34 | 0.27 | 0.08 |
| | 5 | 1.00 | 0.83 | 0.47 | 0.34 | 0.20 | 0.24 | 0.19 | 0.06 |
| | 6 | 0.82 | 0.58 | 0.30 | 0.27 | 0.17 | 0.22 | 0.18 | 0.05 |
| | CU 900 | 1 | 0.86 | 0.63 | 0.32 | 0.30 | 0.21 | - | - |
| CU 950 | 2 | 1.03 | 0.80 | 0.59 | 0.40 | 0.26 | - | - | 0.05 |
| | 3 | 0.44 | 0.40 | 0.27 | 0.18 | 0.15 | - | - | 0.02 |
| MR 630 | 7 | 0.88 | 0.78 | 0.36 | 0.34 | 0.16 | 0.12 | 0.96 | 0.47 |

FILTER SIZING Corrective factor

Corrective factor **Y**, to be used for the filter element pressure drop calculation.
The values depend to the filter size and lenght and to the filter media.

Reference viscosity 30 mm²/s

High pressure filters

| Filter element | Absolute filtration N - R Series | | | | | Nominal filtration N Series | |
|----------------|-------------------------------------|--------|--------|--------|--------|--------------------------------|------|
| | Type | A03 | A06 | A10 | A16 | | A25 |
| HP 011 | 1 | 332.71 | 250.07 | 184.32 | 152.36 | 128.36 | - |
| | 2 | 220.28 | 165.56 | 74.08 | 59.13 | 37.05 | - |
| | 3 | 123.24 | 92.68 | 41.48 | 33.08 | 20.72 | - |
| | 4 | 77.76 | 58.52 | 28.37 | 22.67 | 16.17 | - |
| HP 039 | 1 | 70.66 | 53.20 | 25.77 | 20.57 | 14.67 | 4.90 |
| | 2 | 36.57 | 32.28 | 18.00 | 13.38 | 8.00 | 2.90 |
| | 3 | 26.57 | 23.27 | 12.46 | 8.80 | 5.58 | 2.20 |
| HP 050 | 1 | 31.75 | 30.30 | 13.16 | 12.3 | 7.29 | 1.60 |
| | 2 | 24.25 | 21.26 | 11.70 | 9.09 | 4.90 | 1.40 |
| | 3 | 17.37 | 16.25 | 8.90 | 7.18 | 3.63 | 1.25 |
| | 4 | 12.12 | 10.75 | 6.10 | 5.75 | 3.08 | 1.07 |
| | 5 | 7.00 | 6.56 | 3.60 | 3.10 | 2.25 | 0.80 |
| HP 065 | 1 | 58.50 | 43.46 | 23.16 | 19.66 | 10.71 | 1.28 |
| | 2 | 42.60 | 25.64 | 16.22 | 13.88 | 7.32 | 1.11 |
| | 3 | 20.50 | 15.88 | 8.18 | 6.81 | 3.91 | 0.58 |
| HP 135 | 1 | 20.33 | 18.80 | 9.71 | 8.66 | 4.78 | 2.78 |
| | 2 | 11.14 | 10.16 | 6.60 | 6.38 | 2.22 | 1.11 |
| | 3 | 6.48 | 6.33 | 3.38 | 3.16 | 2.14 | 1.01 |
| HP 320 | 1 | 10.88 | 9.73 | 5.02 | 3.73 | 2.54 | 1.04 |
| | 2 | 4.40 | 3.83 | 1.75 | 1.48 | 0.88 | 0.71 |
| | 3 | 2.75 | 2.11 | 1.05 | 0.87 | 0.77 | 0.61 |
| | 4 | 2.12 | 1.77 | 0.98 | 0.78 | 0.55 | 0.47 |
| HP 500 | 1 | 4.44 | 3.67 | 2.30 | 2.10 | 1.65 | 0.15 |
| | 2 | 3.37 | 2.77 | 1.78 | 1.68 | 1.24 | 0.10 |
| | 3 | 2.22 | 1.98 | 1.11 | 1.09 | 0.75 | 0.08 |
| | 4 | 1.81 | 1.33 | 0.93 | 0.86 | 0.68 | 0.05 |
| | 5 | 1.33 | 1.15 | 0.77 | 0.68 | 0.48 | 0.04 |

| Filter element | Absolute filtration N Series | | | | | Nominal filtration N Series | |
|----------------|---------------------------------|------|------|------|------|--------------------------------|------|
| | Type | A03 | A06 | A10 | A16 | | A25 |
| HP 320 | 1 | 3.65 | 2.95 | 2.80 | 1.80 | 0.90 | 0.38 |
| | 2 | 2.03 | 1.73 | 1.61 | 1.35 | 0.85 | 0.36 |
| | 3 | 1.84 | 1.42 | 1.32 | 1.22 | 0.80 | 0.35 |

Stainless steel high pressure filters

| Filter element | Absolute filtration N Series | | | | | |
|----------------|---------------------------------|--------|--------|--------|--------|--------|
| | Type | A03 | A06 | A10 | A16 | A25 |
| HP 011 | 1 | 332.71 | 250.07 | 184.32 | 152.36 | 128.36 |
| | 2 | 220.28 | 165.56 | 74.08 | 59.13 | 37.05 |
| | 3 | 123.24 | 92.68 | 41.48 | 33.08 | 20.72 |
| | 4 | 77.76 | 58.52 | 28.37 | 22.67 | 16.17 |
| HP 039 | 2 | 70.66 | 53.20 | 25.77 | 20.57 | 14.67 |
| | 3 | 36.57 | 32.28 | 18.00 | 13.38 | 8.00 |
| | 4 | 26.57 | 23.27 | 12.46 | 0.88 | 5.58 |
| | 1 | 31.75 | 30.30 | 13.16 | 12.3 | 7.29 |
| HP 050 | 2 | 24.25 | 21.26 | 11.70 | 9.09 | 4.90 |
| | 3 | 17.37 | 16.25 | 8.90 | 7.18 | 3.63 |
| | 4 | 12.12 | 10.75 | 6.10 | 5.75 | 3.08 |
| | 5 | 7.00 | 6.56 | 3.60 | 3.10 | 2.25 |
| | 1 | 20.33 | 18.80 | 9.71 | 8.66 | 4.78 |
| HP 135 | 2 | 11.14 | 10.16 | 6.60 | 6.38 | 2.22 |
| | 3 | 6.48 | 6.33 | 3.38 | 3.16 | 2.14 |

| Filter element | Absolute filtration H - U Series | | | | | |
|----------------|-------------------------------------|--------|--------|--------|--------|--------|
| | Type | A03 | A06 | A10 | A16 | A25 |
| HP 011 | 1 | 424.58 | 319.74 | 235.17 | 194.44 | 163.78 |
| | 2 | 281.06 | 211.25 | 94.53 | 75.45 | 47.26 |
| | 3 | 130.14 | 97.50 | 43.63 | 34.82 | 21.81 |
| | 4 | 109.39 | 82.25 | 36.79 | 29.37 | 18.40 |
| HP 039 | 2 | 70.66 | 53.20 | 25.77 | 20.57 | 14.67 |
| | 3 | 36.57 | 32.28 | 18.00 | 13.38 | 8.00 |
| | 4 | 26.57 | 23.27 | 12.46 | 8.80 | 5.58 |
| | 1 | 47.33 | 34.25 | 21.50 | 20.50 | 14.71 |
| HP 050 | 2 | 29.10 | 25.95 | 14.04 | 10.90 | 5.88 |
| | 3 | 20.85 | 19.50 | 10.68 | 8.61 | 4.36 |
| | 4 | 14.55 | 12.90 | 7.32 | 6.90 | 3.69 |
| | 5 | 9.86 | 9.34 | 6.40 | 4.80 | 2.50 |
| | 1 | 29.16 | 25.33 | 13.00 | 12.47 | 5.92 |
| HP 135 | 2 | 14.28 | 11.04 | 7.86 | 7.60 | 4.44 |
| | 3 | 8.96 | 7.46 | 4.89 | 4.16 | 3.07 |

Step 1 Select "FILTERS"



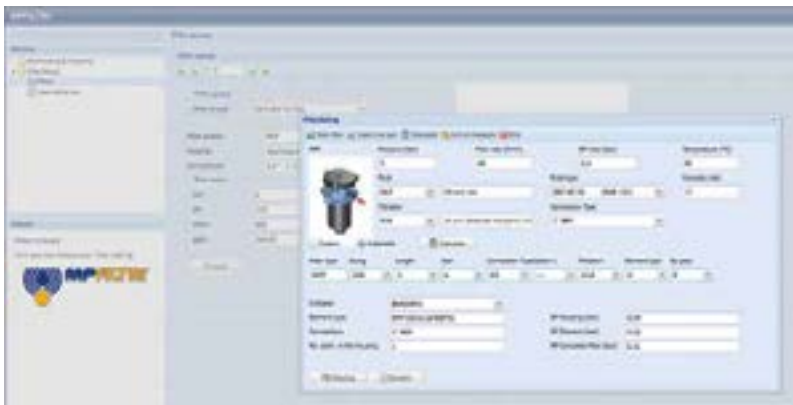
Step 2 Choose filter group (Return Filter, Pressure Filter, etc.)



Step 3 Choose filter type (MPF, MPT, etc.) in function of the max working pressure and the max flow rate



Step 4 Push "PROCEED"



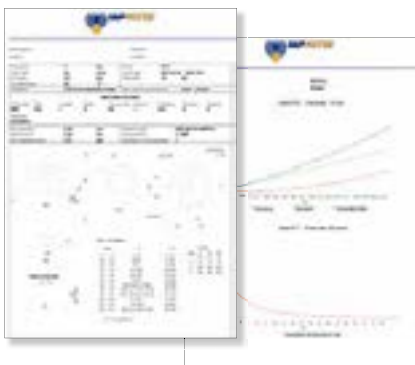
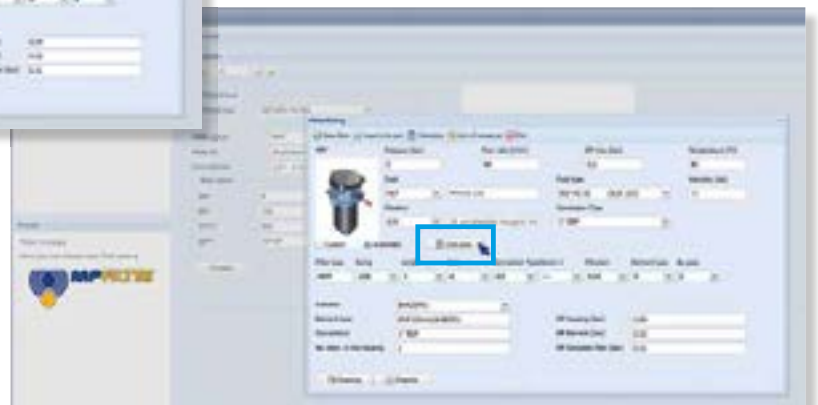
Step 5

Insert all application data to calculate the filter size following the sequence:

- working pressure
- working flow rate
- working pressure drop
- working temperature
- fluid material and fluid type
- filtration media
- connection type

Step 6

Push "CALCULATE" to have result; in case of any mistake, the system will advice which parameter is out of range to allow to modify/adjust the selection



Step 7

Download PDF Datasheet "Report.aspx" pushing the button "Drawing"

LMP 900-901 series

Filter element according to DIN 24550

Maximum pressure up to 30 bar - Flow rate up to 2000 l/min



LMP900-901 GENERAL INFORMATION

Technical data

Low & Medium Pressure filters

Maximum pressure up to 30 bar - Flow rate up to 2000 l/min
Filter element according to DIN 24550

Filter housing materials

- Head: Anodized Aluminium
- Housing: Anodized Aluminium
- Manifolds: Anodized Aluminium
- Bypass valve: Steel

Pressure

- Working pressure: 3 MPa (30 bar)
- Test pressure: 4.5 MPa (45 bar)
- Burst pressure: 12 MPa (120 bar)
- Pulse pressure fatigue test: 1 000 000 cycles with pressure from 0 to 3 MPa (30 bar)

Bypass valve

- Opening pressure 3.5 bar \pm 10%
- Other opening pressures on request.

Number of filter elements

- LMP 900-1: 1 filter element CU900
- LMP 900-2: 2 filter elements CU900

Filter elements

- Filter element in according to with DIN 24550
- Size: 1000

Δp element type

- Microfibre filter elements - series N: 20 bar
- Fluid flow through the filter element from OUT to IN.

Connections

- LMP 900: In-line Inlet/Outlet
- LMP 901: 90° Inlet/Outlet

Seals

- Standard NBR series A
- Optional FPM series V

Temperature

- From -25 °C to +110 °C

Note

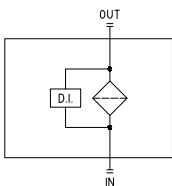
- LMP 900 - 901 filters are provided for vertical mounting

Weights [kg] and volumes [dm³]

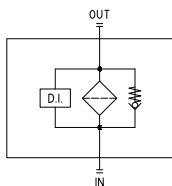
| | Weights [kg] | | | Volumes [dm ³] | | |
|----------------------|--------------|------|------|----------------------------|----|----|
| | Length | 1 | 2 | Length | 1 | 2 |
| LMP 900 - 901 | | 19.2 | 30.4 | | 16 | 24 |

Hydraulic symbols

LMP 210-400-900-950
execution S



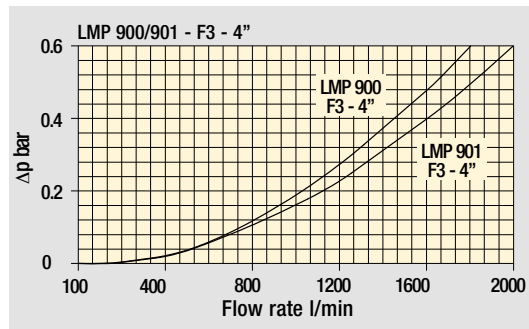
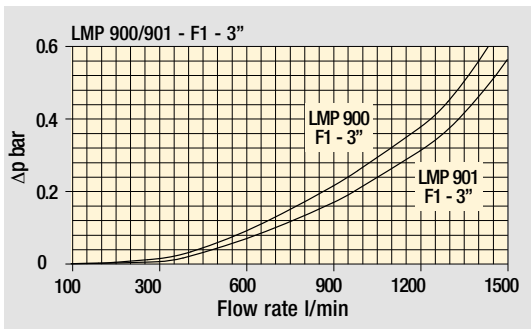
LMP 210-400-900-950
execution B



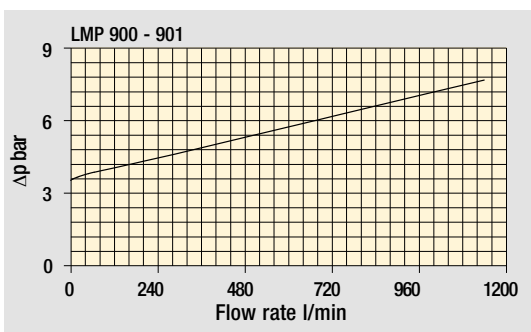
GENERAL INFORMATION LMP900-901

The curves are plotted using mineral oil with density of 0.86 kg/dm³ in compliance with ISO 3968.
 Δp varies proportionally with density.

Pressure drop

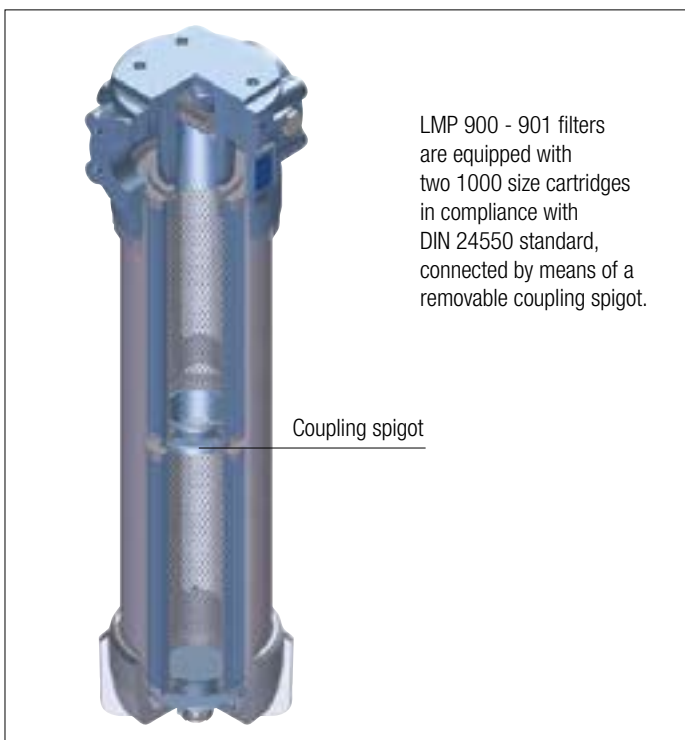


Filter housings Δp pressure drop



Bypass valve pressure drop

P2 EXECUTION



LMP 900 - 901 filters are equipped with two 1000 size cartridges in compliance with DIN 24550 standard, connected by means of a removable coupling spigot.

LMP900-901

Designation & Ordering code

COMPLETE FILTER

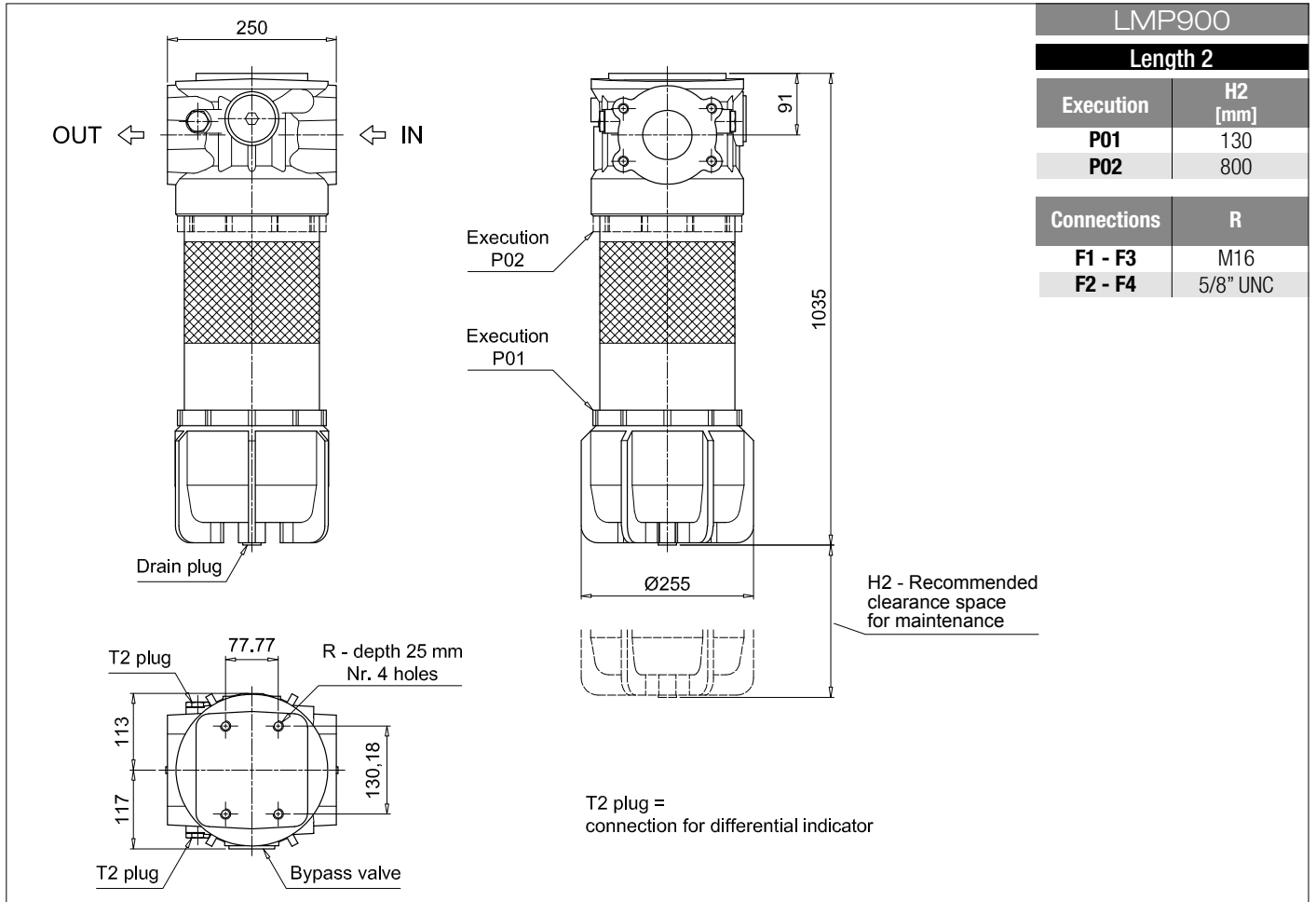
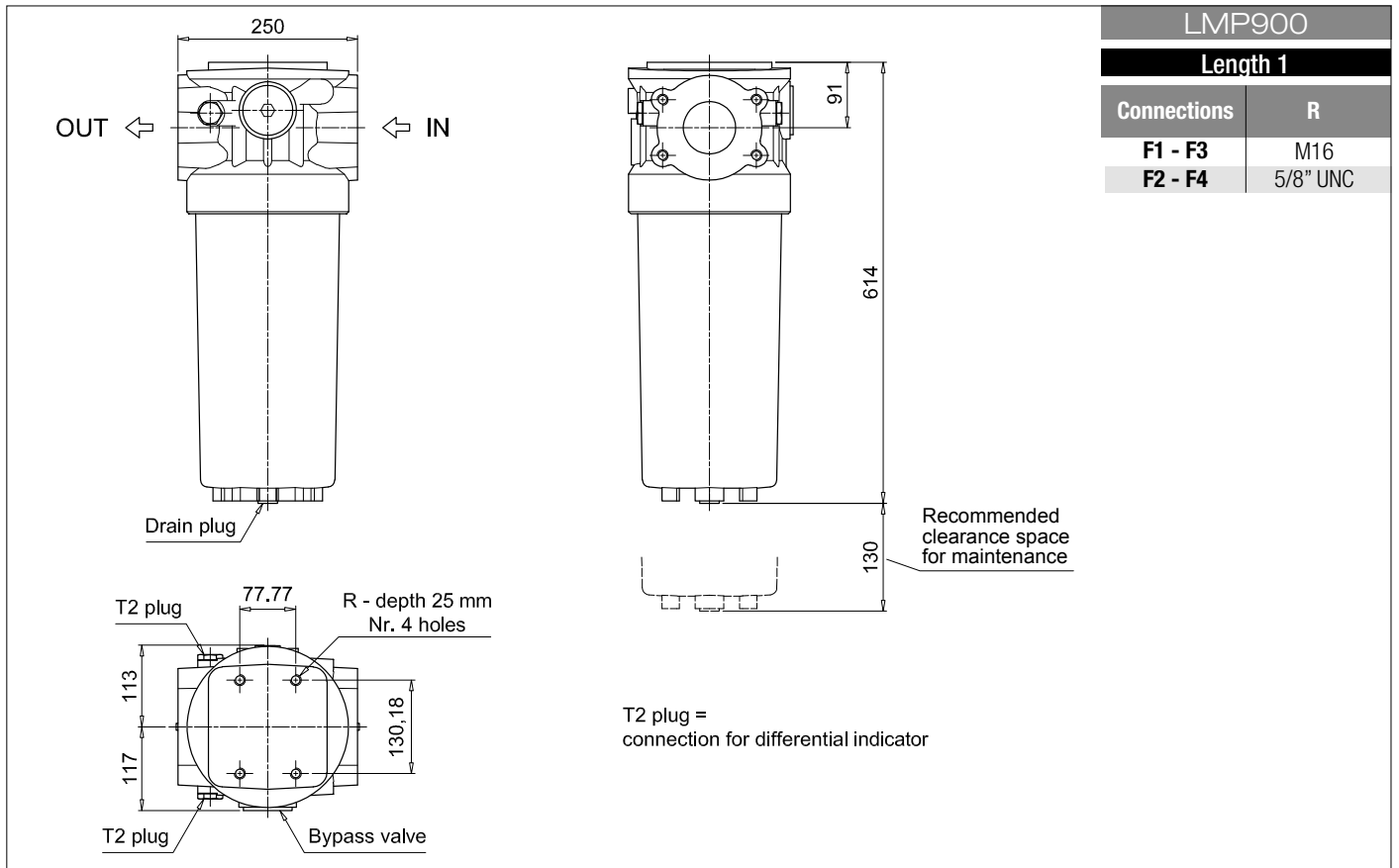
| | | | | | | | | |
|--|--|--|--|--|--|--|----------------------|----------|
| Series and size LMP900 LMP901 | Configuration example: LMP901 2 B A F2 A10 N P01 | | | | | | | |
| Length 1 2 | | | | | | | | |
| Bypass valve S Without bypass B 3.5 bar | | | | | | | | |
| Seals and treatments A NBR V FPM | | | | | | | | |
| Connections F1 3" SAE 3000 psi/M F2 3" SAE 3000 psi/UNC F3 4" SAE 3000 psi/M F4 4" SAE 3000 psi/UNC | | | | | | | | |
| Filtration rating (filter media) A03 Inorganic microfiber 3 µm A06 Inorganic microfiber 6 µm A10 Inorganic microfiber 10 µm A16 Inorganic microfiber 16 µm A25 Inorganic microfiber 25 µm M25 Wire mesh 25 µm M60 Wire mesh 60 µm M90 Wire mesh 90 µm | | | | | | | | |
| Element Δp N 20 bar | Execution | | | | | | Filter length | |
| | P01 MP Filtri standard | | | | | | 1 | 2 |
| | P02 Maintenance from the bottom of the housing | | | | | | | |
| | Pxx Customized | | | | | | | |

FILTER ELEMENT

| | | | | | |
|--|---|--|--|--|--|
| Element series and size CU900 | Configuration example: CU900 A10 A N P01 | | | | |
| Length 1 Nr. 1 filter element 2 Nr. 2 filter elements | | | | | |
| Filtration rating (filter media) A03 Inorganic microfiber 3 µm A06 Inorganic microfiber 6 µm A10 Inorganic microfiber 10 µm A16 Inorganic microfiber 16 µm A25 Inorganic microfiber 25 µm M25 Wire mesh 25 µm M60 Wire mesh 60 µm M90 Wire mesh 90 µm | | | | | |
| Seals A NBR V FPM | | | | | |
| Element Δp N 20 bar | Execution | | | | |
| | P01 MP Filtri standard | | | | |
| | Pxx Customized | | | | |

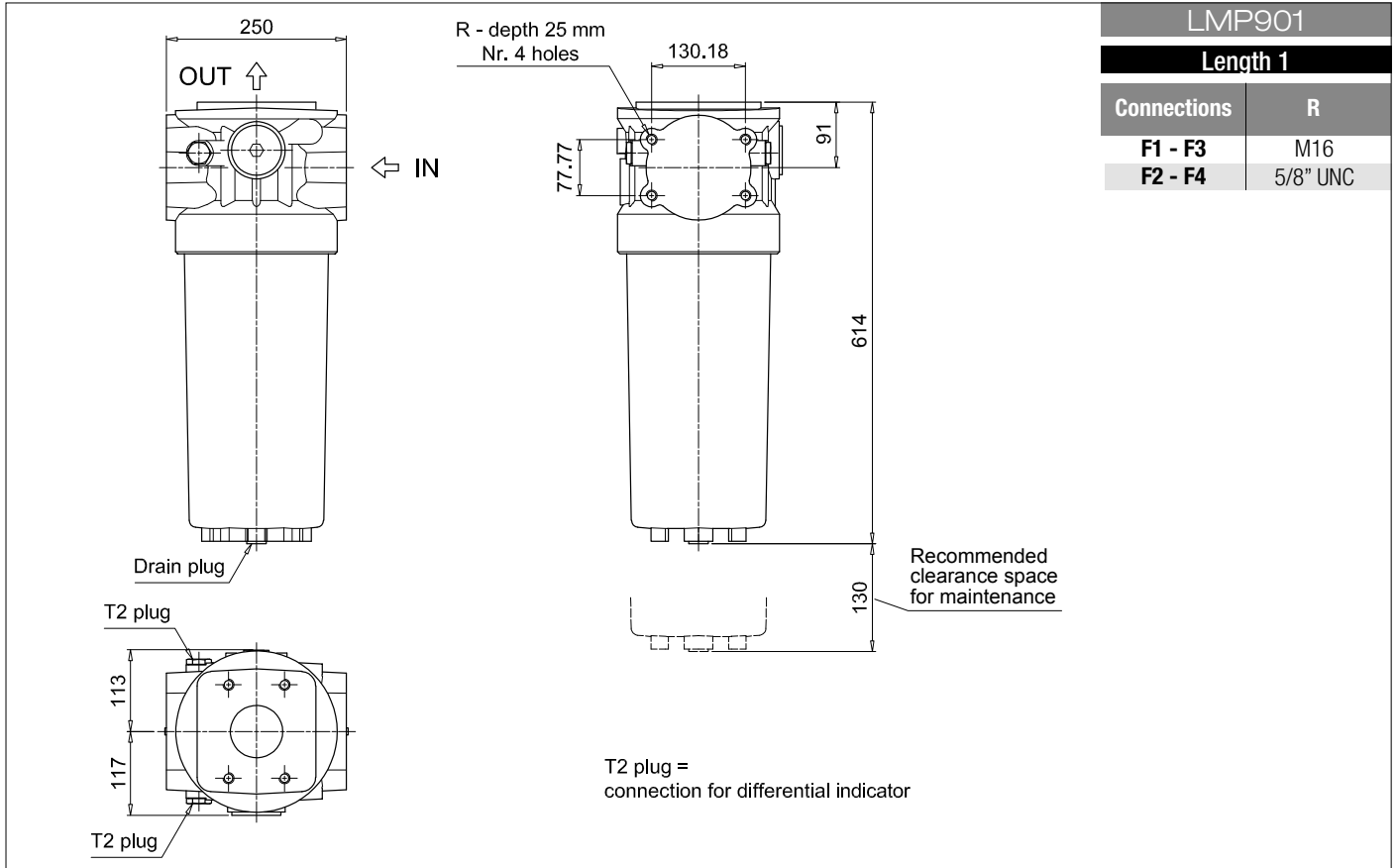
ACCESSORIES

| | | | |
|---|---------|--|------|
| Differential indicators | page | | page |
| DEA Electrical differential indicator | 419 | DTA Electronic differential indicator | 422 |
| DEM Electrical differential indicator | 419-420 | DVA Visual differential indicator | 422 |
| DLA Electrical / visual differential indicator | 420-421 | DVM Visual differential indicator | 422 |
| DLE Electrical / visual differential indicator | 421 | | |
| Additional features | page | | |
| T2 Plug | 423 | | |

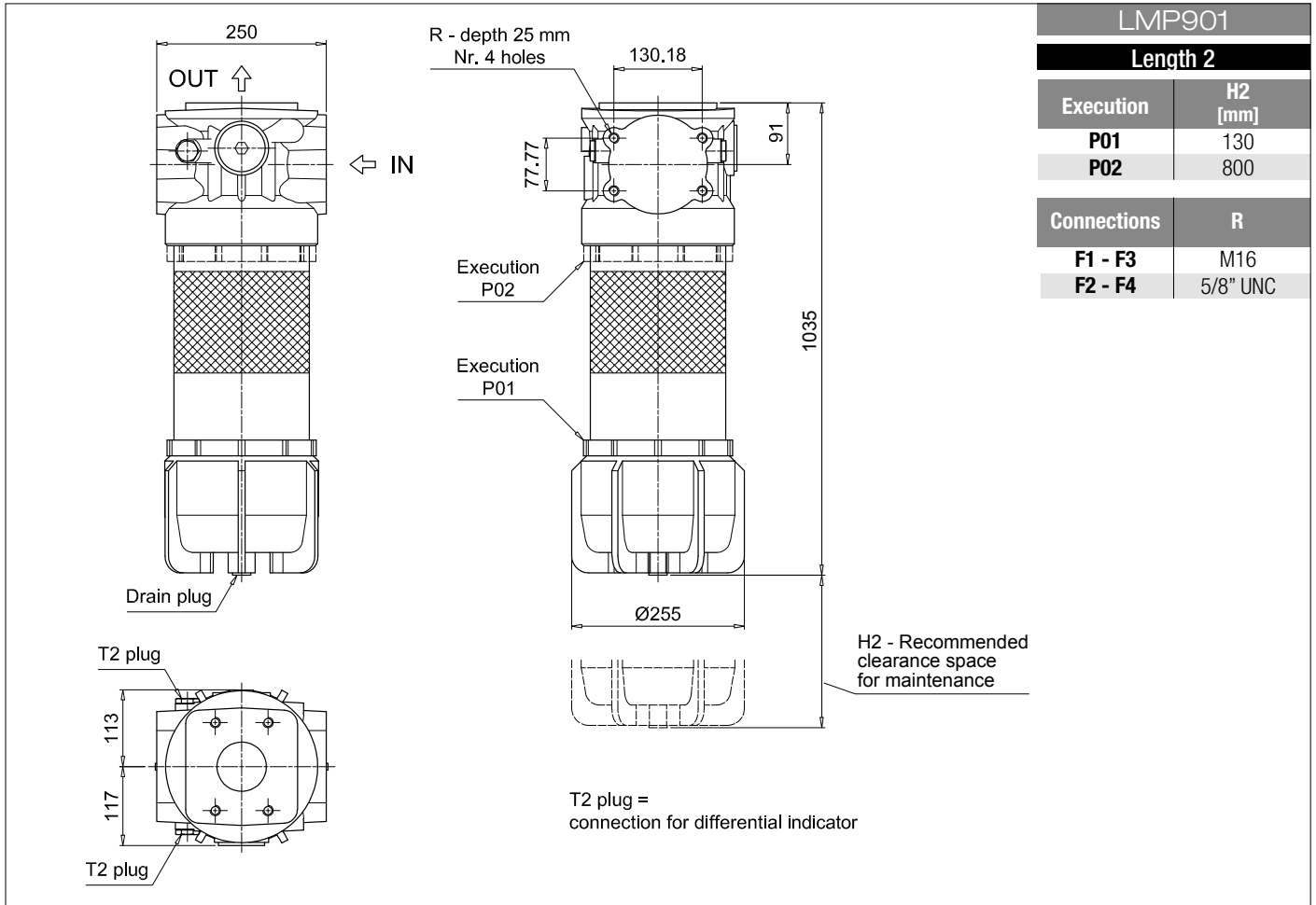


LMP900-901

Dimensions



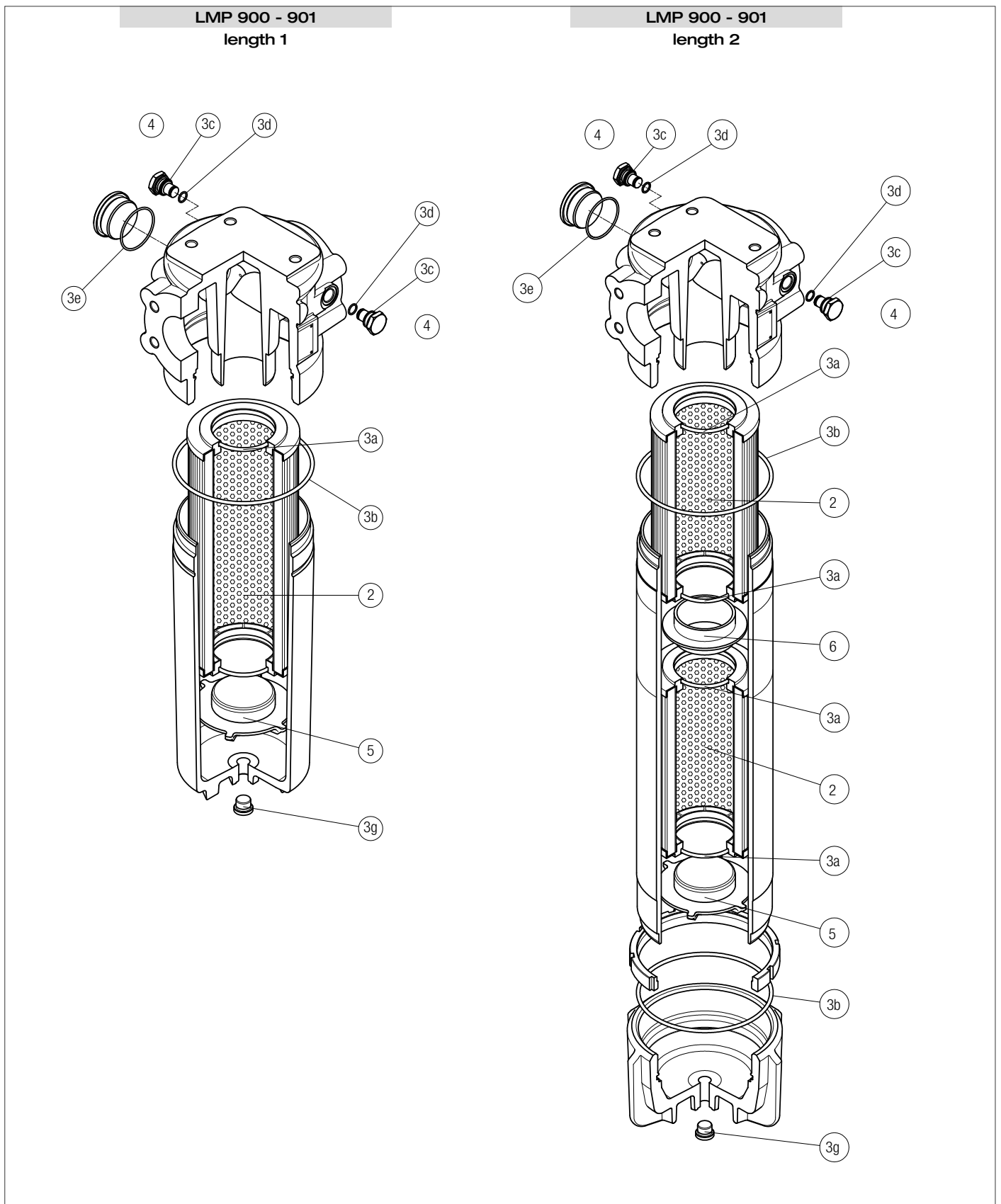
| LMP901 | |
|-------------|----------|
| Length 1 | |
| Connections | R |
| F1 - F3 | M16 |
| F2 - F4 | 5/8" UNC |



| LMP901 | |
|-------------|----------|
| Length 2 | |
| Execution | H2 [mm] |
| P01 | 130 |
| P02 | 800 |
| Connections | R |
| F1 - F3 | M16 |
| F2 - F4 | 5/8" UNC |

SPARE PARTS LMP900-901

Order number for spare parts



| Item: | 2 | | 3 (3a ÷ 3g) | | | 4 | | 5 | | 6 | | |
|------------------------|----------------|----------------------|---------------------------|----------|----------------|--------|-----------------|------|-------|----------|-------|----------|
| Filter series | Filter element | Seal Kit code number | Indicator connection plug | | Housing spigot | | Coupling spigot | | | | | |
| | Q.ty | Q.ty | NBR | FPM | Q.ty | NBR | FPM | Q.ty | Q.ty | Q.ty | | |
| LMP 900 - 901 length 1 | 1 pc. | See order table | 1 pc. | 02050363 | 02050364 | 2 pcs. | T2H | T2V | 1 pc. | 01044104 | - | 01044099 |
| LMP 900 - 901 length 2 | 2 pcs. | See order table | 1 pc. | 02050365 | 02050366 | 2 pcs. | T2H | T2V | 1 pc. | 01044104 | 1 pc. | 01044099 |