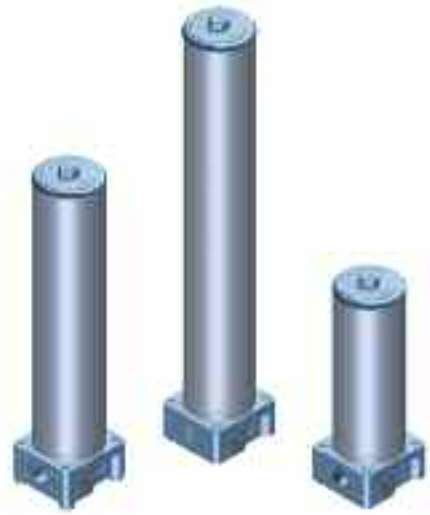


# FHF 325

Filter housing in according to SAE J2066 for HF4 filter elements

Maximum pressure 350 bar  
Flow rates to 500 l/min



## Technical data

### Filter housing (Materials)

- Head: Cast iron (chemical heat treatment)
- Housing: Steel (chemical heat treatment)
- Cover: Cast iron (chemical heat treatment)
- Bypass valve: Brass - Steel

### Pressure

- Working pressure: 350 bar (35 MPa)
- Test pressure: 525 bar (52,5 MPa)
- Burst pressure: 1050 bar (105 MPa)
- Pulse pressure fatigue test: 1.000.000 cycles with pressure from 0 to 350 bar (35 MPa)

### Temperature

- From -25 °C to +110 °C

### Bypass valve

- Opening pressure 6 bar  $\pm$ 10%
- Other opening pressures on request.

### $\Delta p$ Elements type

- Microfibre filter elements series N: 20 bar
- Wire mesh filter elements series N: 20 bar
- Fluid flow through the filter element from OUT to IN.

### Seals

- Standard NBR series A
- Optional FPM series V

### FHF FILTERS ARE PROVIDED FOR VERTICAL MOUNTING

### Weights (kg)

Length	1	2	3
FHF325	23,90	32,68	41,47

### Volumes (dm<sup>3</sup>)

Length	1	2	3
FHF325	3,50	5,80	8,11

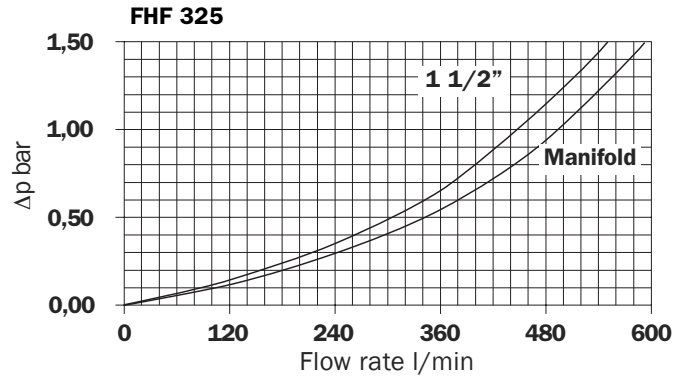
### Connections

- FHF 325: In-line threaded connection
- FHF 325: In-line flanged connection
- FHF 325: Manifold mounting

### Filter housings $\Delta p$ pressure drop

The curves are plotted utilising mineral oil with density of 0,86 kg/dm<sup>3</sup> to ISO 3968.

$\Delta p$  varies proportionally with density.



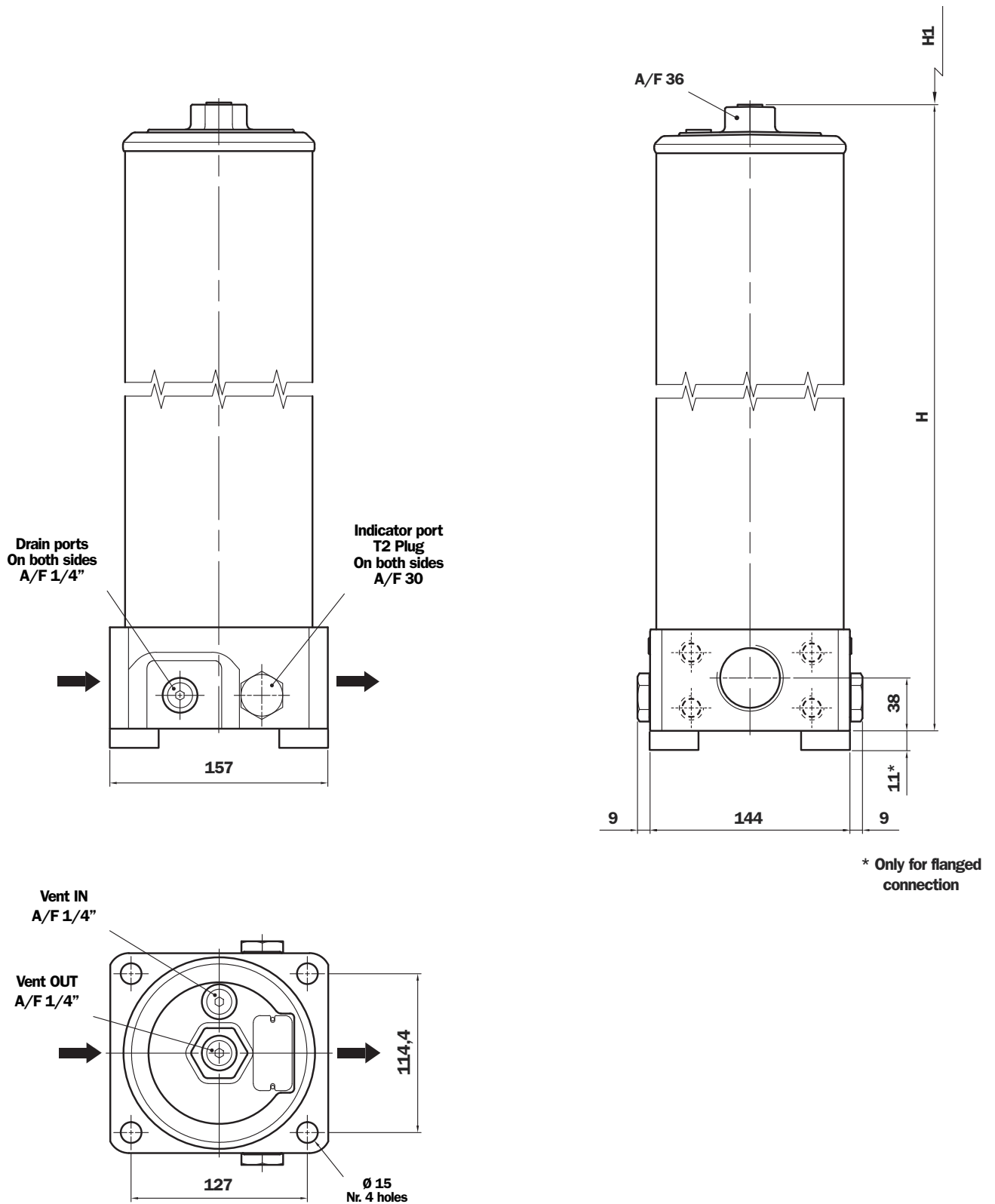
### Recommended maximum flow rate

- Pressure drop of filter assembly equal to  $\Delta p$  1,5 bar.
- Oil kinematic viscosity 30 mm<sup>2</sup>/s (cSt).
- Density 0,86 kg/dm<sup>3</sup>.
- Connections of filter under test to Manifold.

		Filtration						
		Length	A03	A06	A10	A16	A25	M25
<b>FHF 325</b>	1	300	335	348	415	490	495	
	2	395	420	430	450	495	500	
	3	410	440	455	465	500	505	

**Serie N - Flow rate l/min**

# FHF 325 - Threaded and Flanged connection



## FHF 325

Filter Length	H mm	H1 mm
1	452	250
2	690	485
3	928	725

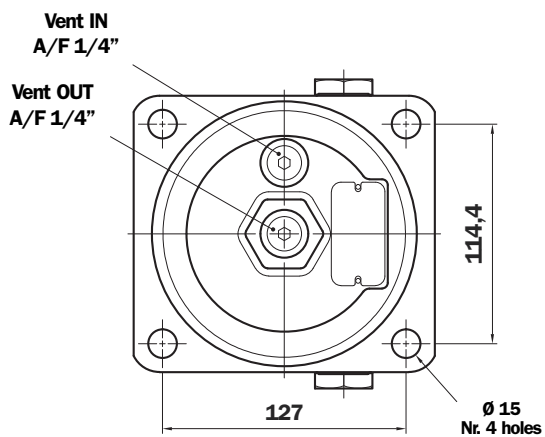
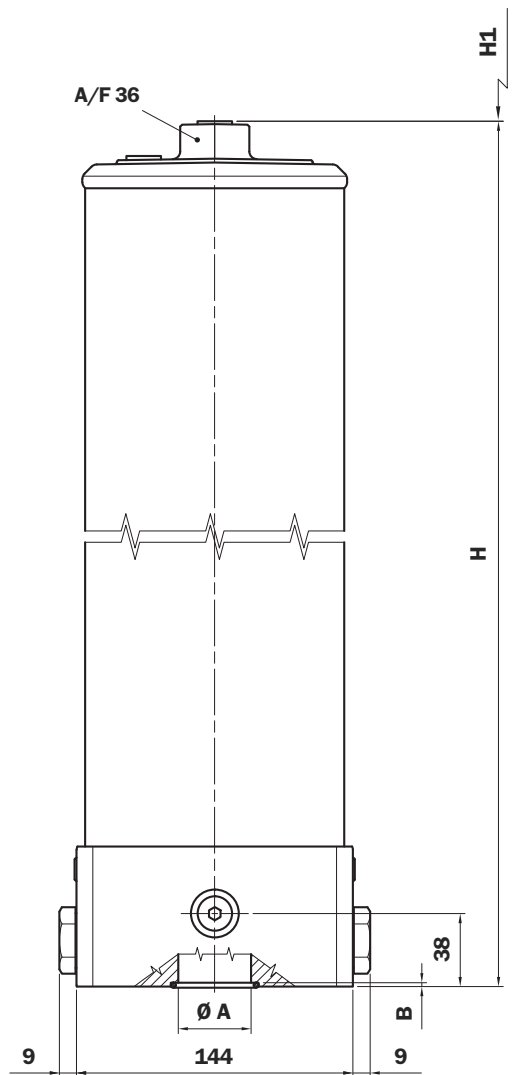
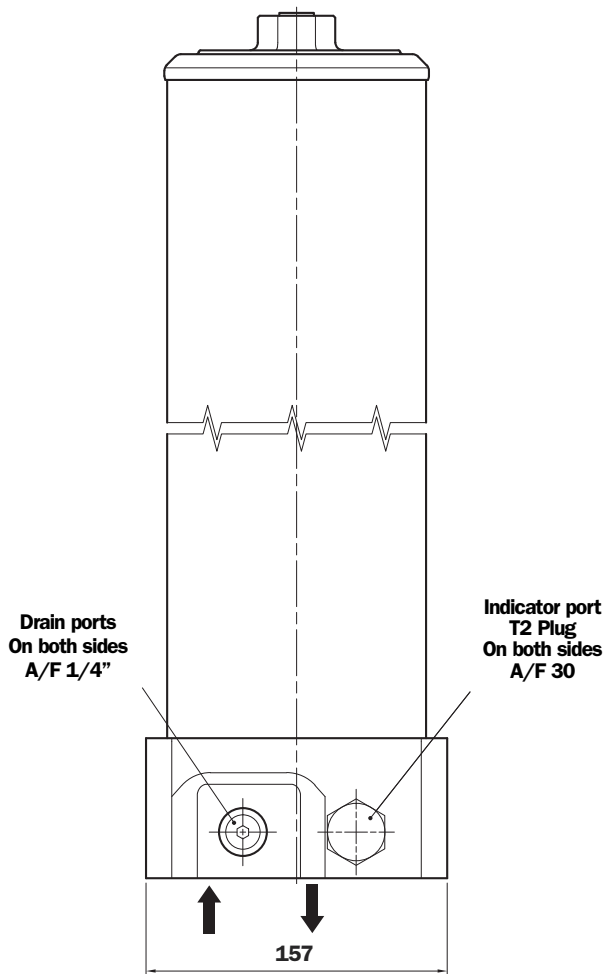
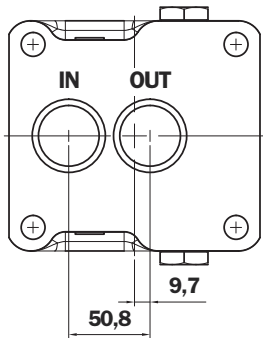
## Thread connections

Type	Size
A	G 1 1/2"
B	1 1/2" NPT
C	SAE 24 - 1 7/8" - 12 UN

## Flanged connections

Type	Size
G	1 1/2" SAE - 6000 psi/M
H	1 1/2" SAE - 6000 psi/UNC

# FHF 325 - Manifold connection

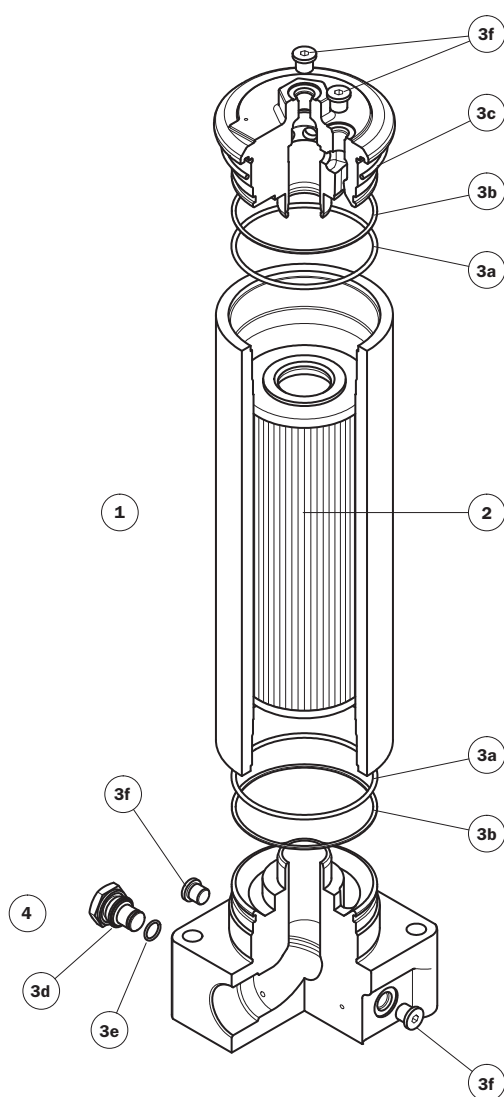


## FHF 325

Filter Length	H mm	H1 mm
1	452	250
2	690	485
3	928	725

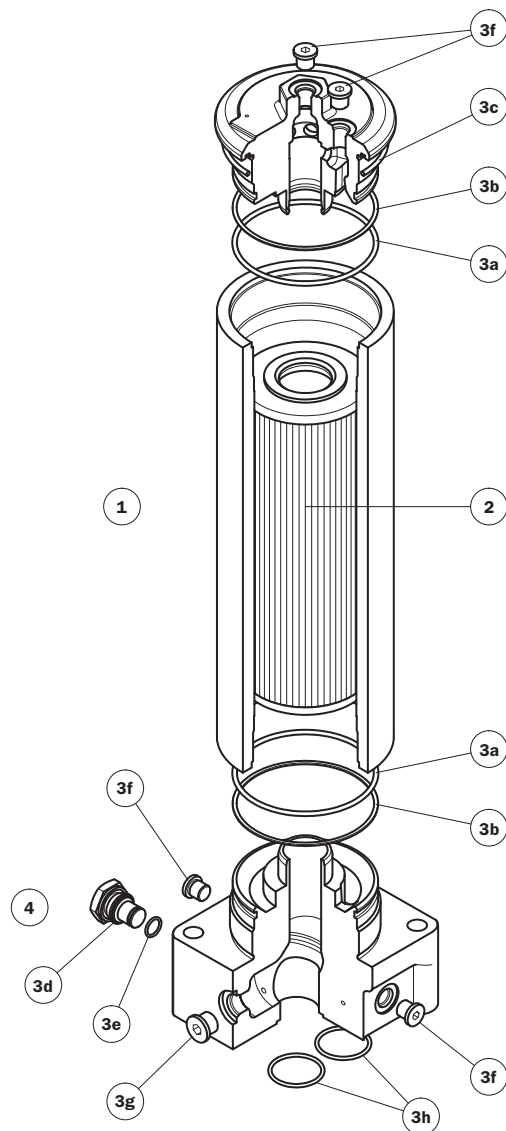
## Manifold connections

Type	A	B
M	1,38"	2
N	1,50"	2



Item	Description	Q.ty	FILTER Series FHF 325 A - B - C - G - H	
1	Filter assembly	1	See order table	
2	Filter element	1	See order table	
3	Seal Kit	1	NBR 02050588	FPM 02050589
3a	O-Ring for housing	2	O-R 4412 Ø 104,4 x 3,53	
3b	Anti-extrusion ring	2	Parbak 243 Ø 104,93 x 3	
3c	O-Ring cover	1	O-R 4475 Ø 120,2 x 3,53	
3d	Indicator seal	2	01030058 (HNBR)	01030046 (FPM)
3e	O-Ring indicator	2	O-R 2050 Ø 12,42 x 1,78	
3f	Vent and drain plug	4	Plug 9/16 18 UNF	
4	Indicator connection plug	2	T2H	T2V

# Spare parts



Item	Description	Q.ty	FILTER Series FHF 325 M - N	
1	Filter assembly	1	See order table	
2	Filter element	1	See order table	
3	Seal Kit	1	NBR 02050590	FPM 02050591
3a	O-Ring for housing	2	O-R 4412 Ø 104,4 x 3,53	
3b	Anti-extrusion ring	2	Parbak 243 Ø 104,93 x 3	
3c	O-Ring cover	1	O-R 4475 Ø 120,2 x 3,53	
3d	Indicator seal	2	01030058 (HNBR)	01030046 (FPM)
3e	O-Ring indicator	2	O-R 2050 Ø 12,42 x 1,78	
3f	Vent and drain plug	4	Plug 9/16 18 UNF	
3g	Plug	2	Plug 3/4 16 UNF	
3h	Connection seal (M)	2	O-Ring 3150 (Ø 37,77 x 2,62)	
	Connection seal (N)		O-Ring 3162 (Ø 40,95 x 2,62)	
4	Indicator connection plug	2	T2H	T2V

# Ordering information FHF

## Filter assembly

### FHF

Example: FHF

<b>1</b>	<b>2</b>	<b>3</b>	<b>4</b>	<b>5</b>	<b>6</b>	<b>7</b>	<b>8</b>	<b>9</b>
<input type="text"/>	<input type="text"/>	<input type="text"/>	<input type="text"/>	<input type="text"/>	<input type="text"/>	<input type="text"/>	<input type="text"/>	<input type="text"/>

**325**   **2**   **B**   **A**   **A**   **7**   **A10**   **N**   **P01**

## Filter element

### HF

Example: HF

<b>1</b>	<b>2</b>	<b>7</b>	<b>4</b>	<b>8</b>	<b>9</b>
<input type="text"/>	<input type="text"/>	<input type="text"/>	<input type="text"/>	<input type="text"/>	<input type="text"/>

**325**   **2**   **A10**   **A**   **N**   **P01**

#### 1 - Style

**Filter**

**325**

**Filter element**

**325**

#### 2 - Filter length

**325**

**1**   **2**   **3**

#### 3 - Valves

**S** Without bypass  
**B** With bypass

#### 4 - Filter seals

**A** NBR  
**V** FPM

#### 5 - Connections

##### Threaded

Type	Size
<b>A</b>	G 1 1/2"
<b>B</b>	1 1/2" NPT
<b>C</b>	SAE 24 - 1 7/8" - 12 UN

##### Flanged

Type	Size
<b>G</b>	1 1/2" SAE - 6000 psi/M
<b>H</b>	1 1/2" SAE - 6000 psi/UNC

##### Manifold

Type	A	B
<b>M</b>	1,38"	2
<b>N</b>	1,50"	2

#### 6 - Indicator port

**7** With both plugged indicator ports

#### 7 - Filter element

<b>A03</b>	Inorganic microfibre 3 µm	} Absolute filtration Inorganic Microfibre  βx (c) ≥ 1000
<b>A06</b>	Inorganic microfibre 6 µm	
<b>A10</b>	Inorganic microfibre 10 µm	
<b>A16</b>	Inorganic microfibre 16 µm	
<b>A25</b>	Inorganic microfibre 25 µm	
<b>M25</b>	Wire mesh 25 µm	} Nominal Filtration

#### 8 - Max filter element differential pressure

**N** Δp 20 bar

#### 9 - Option

**P01** MP Filtri standard  
**Pxx** Customer request

**For Clogging Indicator:**  
See page 324

**MP Filtri** - The filter functions as described in this bulletin are valid exclusively for original MP Filtri filter elements and replacement parts. All rights reserved.

The data in this publication are purely guideline. MP Filtri reserves the right to make changes to the models described herein at any time it deems fit in relation to technical or commercial requirements. The colours of the products shown on the cover are purely guideline. Copyright. All rights reserved.