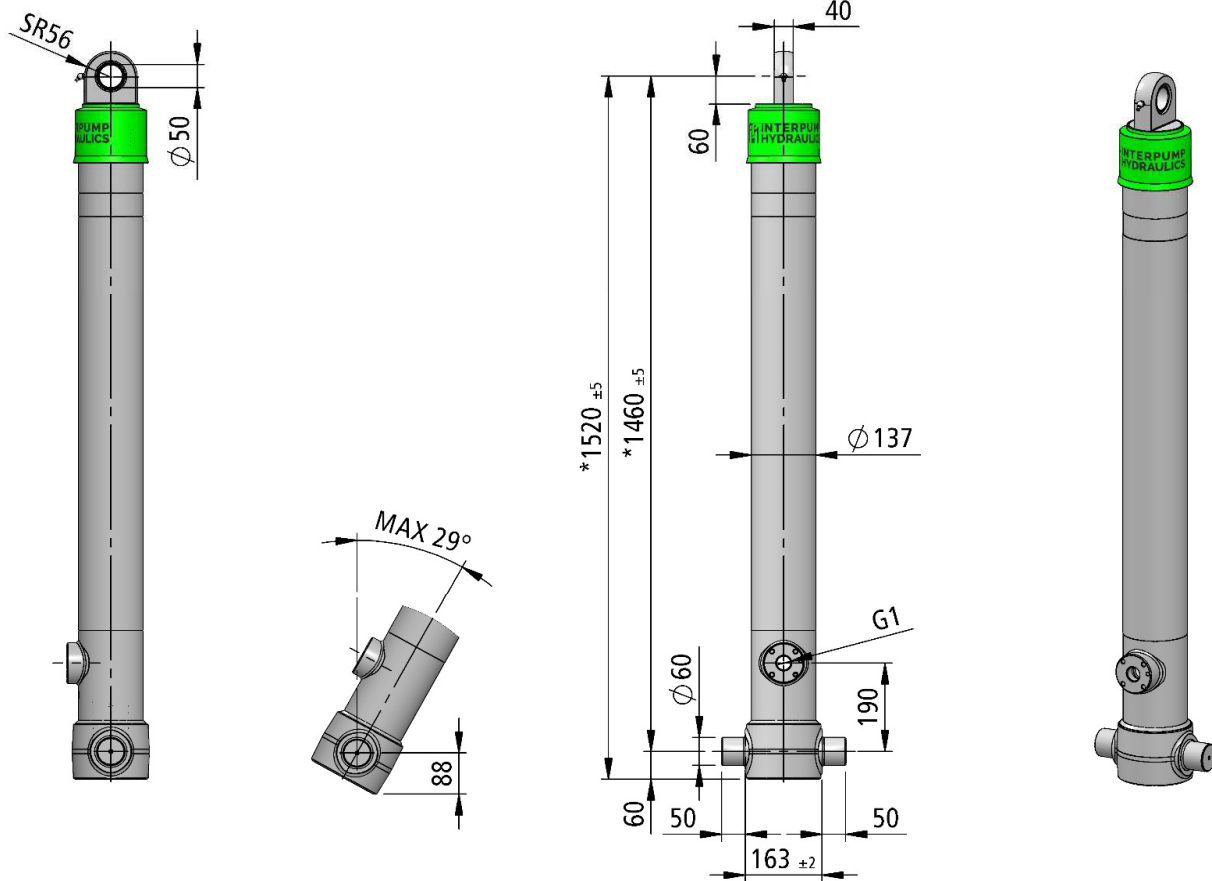


FRONT END CYLINDER

TRUNNION - EYE



5F1370116301AN - 5F-03450-116-3-MI460-0000N											Tipping weight 22-45 ton (**)	
Extension	1	2	3	4	5	6	7	8	9	10	Maximum pressure 250 bar	
Rod diameter [mm]	116	98	79								No. 3 telescopic extensions	
Stroke length [mm]	1148	1150	1152								Total stroke length: 3450 mm	
Oil [dm³]	12.1	8.7	5.6								Working volume 26,4 dm³	Residual volume 3,0 dm³
Thrust [kN] at p max	264	189	123								Max cylinder load - Start tipping 245 kN	
Technical notes											Guide kit: K15F001163001 - Seal kit: K25F001163001	

* Mounting dimensions 1460 including 20 (-5;+30) mm pull out Max pump flow 151 L/min with end of stroke Weight 116 kg
 Seal ring: Temperature range (-40; +100) °C - Maximum linear speed 0.5 m/s Max pump flow 106 L/min without end of stroke Tipping time at flow max 11 s
 Enamel RAL9005 two-component solvent semi-gloss finish minimum thickness 60 m 180 h spray salt test ISO 9227 rating 9 ISO 10289
 Chrome coating type CRN on rod stage 40 h spray salt test ISO 9227 rating 9 ISO 10289

All the information here reported are intended for further investigations by users with technical knowledge. The user, as manufacturer of the completed machinery which will incorporate the here described components, is the solely responsible for the final selection of the components. The user must carry out necessary research and tests on components to determine whether, by its design and construction, all performance, endurance, maintenance, safety and warning requirements are met. The user must assure the compliance of the completed machinery with all appropriate laws, directives, norms, industry standards. The cylinder has been designed to provide only a linear pushing force. The cylinder is not a structural member and must not be used as a stabilizer or be subject to side or pulling load. The cylinder will not prevent the dump body or trailer from rollover or lateral tilt. Cylinder rated pressure reflect only the capability of the pressure-containing envelope and not the force transmitting capability of mounting configurations. The ordinary use of telescopic cylinder will not require any coating since the telescopic stages are exposed to atmospheric agents only during the tip-up operation, if duration is below 2 hours.
 (***) Tipping weight calculation-The body weight plus the max payload are the max tipping weight that can be raised by the cylinder. This value, calculated at the max pressure, is a rough indication of the tipping power of the cylinder and must be used as a first criteria for the selection of the cylinder. The real tipping mass can only be calculated by the design engineer of the completed machinery, and must take into account the geometry of the dump body, the operating conditions and all the reasonably foreseeable uses.

Related documentation 20/12/2022

Read and understand Mounting instructions, User manual, Oil specifications, User responsibility before use

rev. 1 - 2022.12.20 - MP