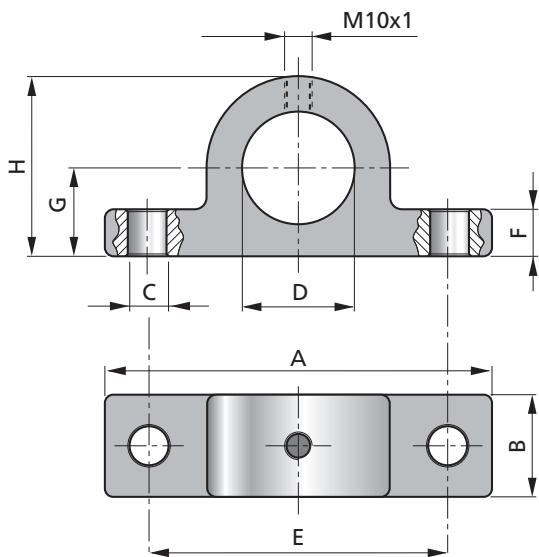


Accessori • Accessories • Accessoires Zubehören • Accesorios



SUPPORTO CILINDRO CYLINDER SUPPORT PALIER VERIN LAGER ZYLINDER SOPORTE CILINDRO

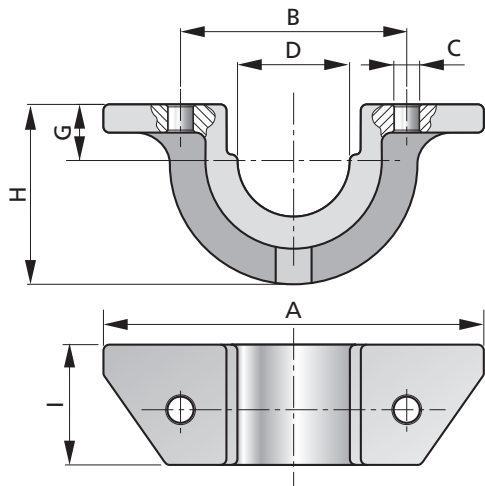


SC 45 - SC 50 - SC 55 - SC 70

ART. NUOVO NEW MODEL NOUVELLE D. NEUE BEZ. DES. NUEVA	ART. VECCHIO OLD MODEL ANCIENNE D. ALTE BEZ. DES. ANTIGUA	CODICE CODE CODE BESTELL-Nr. CODIGO	A	B	C	D	E	F	G	H	MASSA MASS MASSE MASSE MASA [kg]
			[mm]								
SC45	SC45	A70045001	140	40	14	45.5	108	17	32	65	1.5
SC50	SC50	A70050001	150	45	15	50.5	113	15	45	80	2.6
SC55	SC55	A70055001	150	45	15	55.5	113	15	45	80	2.6
SC70	SC70	A70070001	180	45	16.5	70.5	140	15	47.5	95	3



SUPPORTO BILANCIERE CRADLE SUPPORT BALANCIER VERIN LAGER KIPPHEBEL SOPORTE CUNA



SB 45 - SB 50 - SB 55 - SB 70

ART. NUOVO NEW MODEL NOUVELLE D. NEUE BEZ. DES. NUEVA	ART. VECCHIO OLD MODEL ANCIENNE D. ALTE BEZ. DES. ANTIGUA	CODICE CODE CODE BESTELL-Nr. CODIGO	A	B	C	D	E	F	G	H	I	MASSA MASS MASSE MASSE MASA [kg]
			[mm]									
SB45	SB45	A60045001	145	113	13	45.5	30	8	23	56	40	1
SB50	SB50	A60050001	190	113	13	51	30	8	25.5	70	45	2
SB55	SB55	A60055001	190	113	13	56	30	8	28	70	45	2
SB70	SB70	A60070001	210	148	13	71	30	8	35.5	150	45	3

