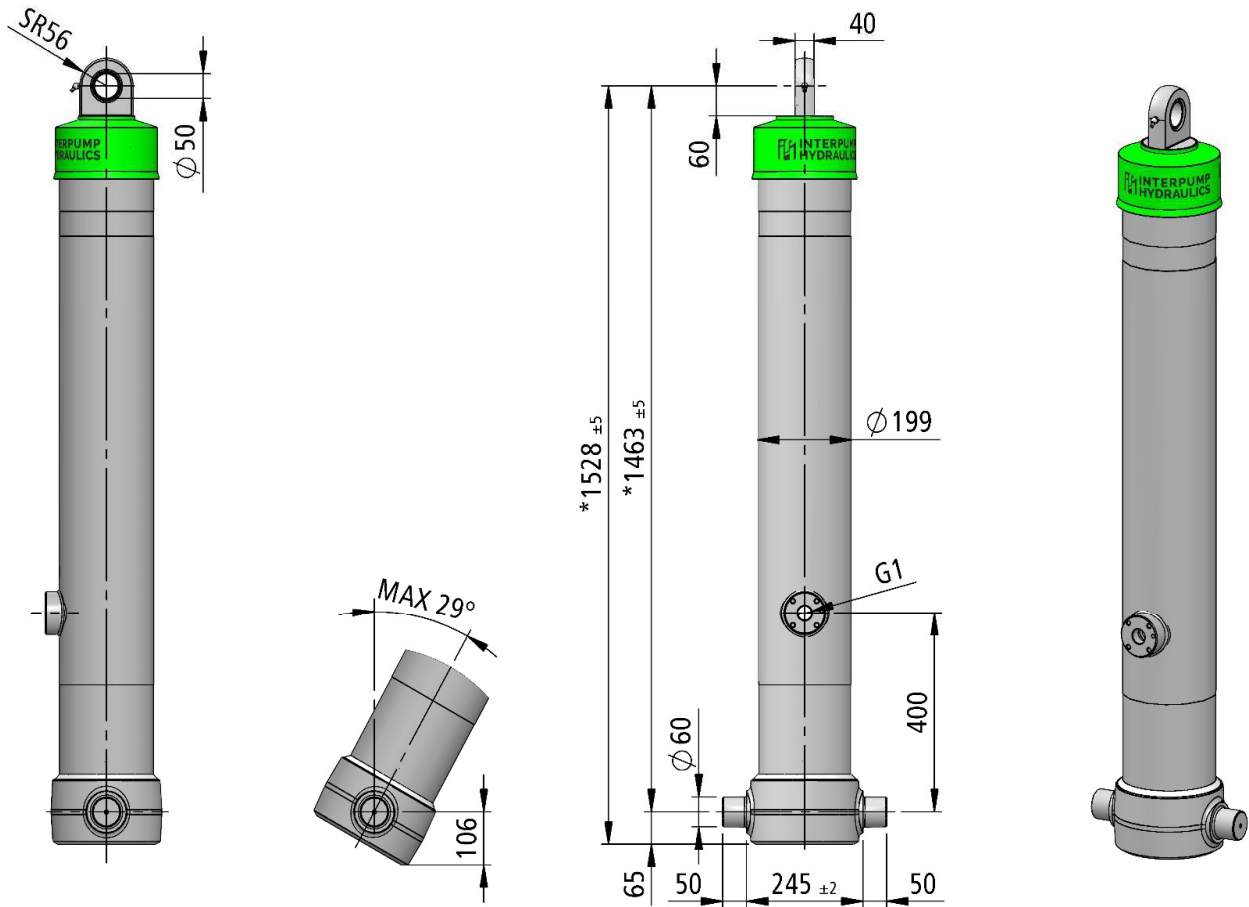


FRONT END CYLINDER

TRUNNION - EYE



5F1370174501AN - 5F-05730-174-5-M1463-0000N											Tipping weight 42-85 ton (**)	
Extension	1	2	3	4	5	6	7	8	9	10	Maximum pressure 250 bar	
Rod diameter [mm]	174	154	135	116	98						No. 5 telescopic extensions	
Stroke length [mm]	1141	1142	1148	1148	1151						Total stroke length: 5730 mm	
Oil [dm³]	27.1	21.3	16.4	12.1	8.7						Working volume 85.6 dm³	Residual volume 6.8 dm³
Thrust [kN] at p max	594	466	358	264	189						Max cylinder load - Start tipping 295 kN	
											Critical buckling load fully extended 266 kN (353 bar)	

Technical notes Guide kit: K15F001745001 - Seal kit: K25F001745001

* Mounting dimensions 1463 including 20 (-5;+30) mm pull out Max pump flow 220 L/min with end of stroke Weight 244 kg
 Seal ring: Temperature range (-40; +100) °C - Maximum linear speed 0.5 m/s Max pump flow 162 L/min without end of stroke Tipping time at flow max 23 s
 Enamel RAL9005 two-component solvent semi-gloss finish minimum thickness 60 μm 180 h spray salt test ISO 9227 rating 9 ISO 10289

Chrome coating type CRN on rod stage 40 h spray salt test ISO 9227 rating 9 ISO 10289

All the information here reported are intended for further investigations by users with technical knowledge. The user, as manufacturer of the completed machinery which will incorporate the here described components, is the solely responsible for the final selection of the components. The user must carry out necessary research and tests on components to determine whether, by its design and construction, all performance, endurance, maintenance, safety and warning requirements are met. The user must assure the compliance of the completed machinery with all appropriate laws, directives, norms, industry standards. The cylinder has been designed to provide only a linear pushing force. The cylinder is not a structural member and must not be used as a stabilizer or be subject to side or pulling load. The cylinder will not prevent the dump body or trailer from rollover or lateral tilt. Cylinder rated pressure reflect only the capability of the pressure-containing envelope and not the force transmitting capability of mounting configurations. The ordinary use of telescopic cylinder will not require any coating since the telescopic stages are exposed to atmospheric agents only during the tip-up operation, if duration is below 2 hours.

(**) Tipping weight calculation-The body weight plus the max payload are the max tipping weight that can be raised by the cylinder. This value, calculated at the max pressure, is a rough indication of the tipping power of the cylinder and must be used as a first criteria for the selection of the cylinder. The real tipping mass can only be calculated by the design engineer of the completed machinery, and must take into account the geometry of the dump body, the operating conditions and all the reasonably foreseeable uses.

Related documentation 09/01/2023

Read and understand Mounting instructions, User manual, Oil specifications, User responsibility before use

rev. 2 - 2023.01.09 - AC