

# UFM 041

## Mobile filtration unit



- **Compact size**
- **Light**
- **Easy to use**
- **Easy maintenance**
- **Reliable**
- **Absolute filtration**

UFM 041 mobile filtration units suitable for filling and refilling of filtered hydraulic fluids and lubrication tanks.

The filter unit connected to off-line to the tank (recommended maximum volume of 350/500 L.), can be used as a support to the filtration plant on start-up for fast flushing action, either as additional filtration systems with a high incidence of contamination.

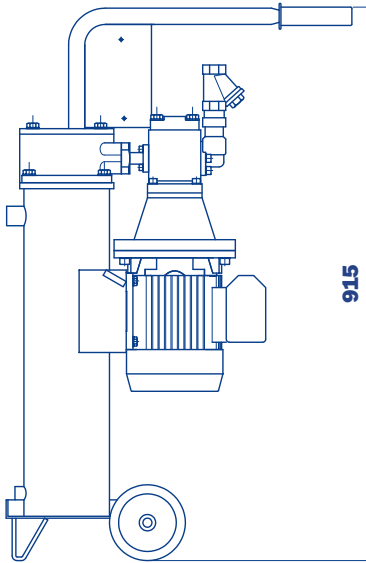
Continued use is recommended for the version with three phase electric motor.

## Technical data

<b>Pump</b>	Gear pump
<b>Electric Motor</b>	0,75 Kw 230 Volt single phase electric motor 0,75 Kw 400/230 Volt three phase electric motor
<b>Flow (l/min)</b>	34 l/min - 1450 r.p.m.
<b>Max. Operation Pressure</b>	5 bar
<b>Viscosity range</b>	Min. operation 10 cSt Max. operation 200 cSt Max. only for cold start 800 cSt
<b>Suction Filter</b>	Type Y filtration 350 µm
<b>By-Pass valve</b>	Rating 2,5 bar
<b>Fluid Temperature</b>	From -10° to +80° C
<b>Ambient Temperature</b>	From -20° to +45° C
<b>Protection Class</b>	IP 55
<b>Seal</b>	NBR
<b>Fluid Compatibility</b>	Mineral Oil & Sintetic Oil - Other on request
<b>Weight</b>	45 kg.
<b>Equipment</b>	Visual clogging indicator (gauge)

# UFM 041

## Mobile filtration unit



915

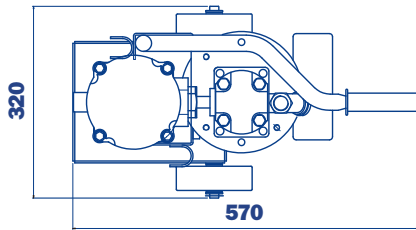
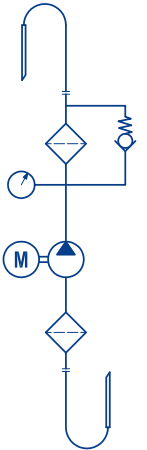
### Hoses



**Suction hose - with lance**  
DN25 length 3000 mm - DN25 length 700 mm.

**Pressure hose - with lance**  
DN20 length 3000 mm - DN20 length 700 mm.

### Symbol



320

570

## Ordering information - Filter element

### Filter element

 Absolute filtration  
inorganic microfibre

 $\beta_{x@} \geq 1000$ 

Wire mesh element

Nominal filtration

MR 250 4 A01 A P01

&lt;4

MR 250 4 M25 A P01

 25  $\mu$ m

MR 250 4 A03 A P01

5

MR 250 4 M60 A P01

 60  $\mu$ m

MR 250 4 A06 A P01

7

MR 250 4 A10 A P01

10

MR 250 4 A16 A P01

15

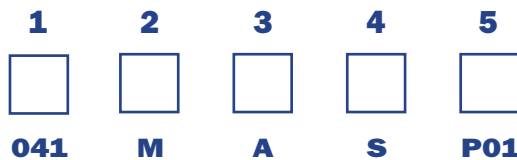
MR 250 4 A25 A P01

20

## Ordering information - UFM

### UFM

Example: UFM



#### 1 - Flow

<b>041</b>	34 l/min
------------	----------

#### 3 - Seals

<b>A</b>	NBR
----------	-----

#### 5 - Option

<b>P01</b>	Standard MP Filtri
------------	--------------------

#### 2 - Electric motor

<b>M</b>	Single phase 220 V
<b>T</b>	Three phase 380 V

#### 4 - Filter elements

<b>S</b>	Without element
----------	-----------------

**Filtration elements should be ordered separately**