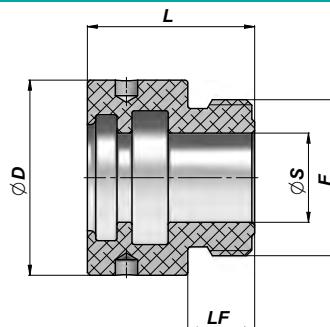
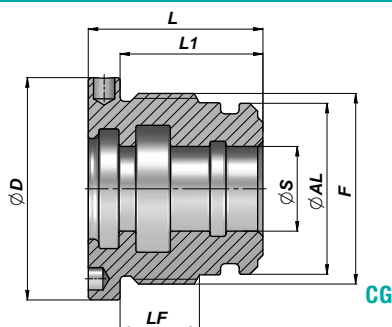
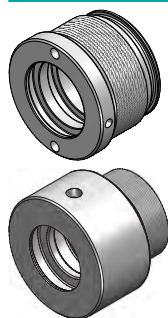


CG

Series M250



Code Code	ØAL	ØS	ØD	F	LF	L	L1	kg	Confezione Box	Pz Pcs	Set guarnizioni Seal kits
*CG03502516	25	16	35	M28x1.5	12	30	-	0,04	Z00CG03502516	100	GKGC025016
*CG04003016	30	16	40	M34x1.5	15	33	27	0,17	Z50CG04003016	50	GKGC030016
*CG04203216	32	16	42	M36x1.5	15	33	27	0,18	Z50CG04203216	50	GKGC032016
CG04203220	32	20	"	"	"	"	"	0,17	Z50CG04203220	50	GKGC032020
CG04503520	35	20	44	M39x1.5	19	40	32	0,19	Z50CG04503520	50	GKGC035020
CG04503522	35	22	"	"	"	"	"	0,17	Z50CG04503522	50	GKGC035022
CG05004020	40	20	49	M44x1.5	19	40	32	0,28	Z50CG05004020	50	GKGC040020
CG05004022	40	22	"	"	"	"	"	0,26	Z50CG05004022	50	GKGC040022
CG05004025	40	25	"	"	"	"	"	0,23	Z50CG05004025	50	GKGC040025
CG05004028	40	28	"	"	"	"	"	0,20	Z50CG05004028	50	GKGC040028
CG05504522	45	22	54	M49x1.5	19	40	32	0,36	Z25CG05504522	25	GKGC045022
CG05504525	45	25	"	"	"	"	"	0,33	Z25CG05504525	25	GKGC045025
CG06005020	50	20	59	M54x1.5	22	43	35	0,53	Z25CG06005020	25	GKGC050020
CG06005025	50	25	"	"	"	"	"	0,46	Z25CG06005025	25	GKGC050025
CG06005028	50	28	"	"	"	"	"	0,45	Z25CG06005028	25	GKGC050028
CG06005030	50	30	"	"	"	"	"	0,39	Z25CG06005030	25	GKGC050030
CG06005032	50	32	"	"	"	"	"	0,40	Z25CG06005032	25	GKGC050032
CG06005135	50	35	"	"	"	"	"	0,30	Z25CG06005135	25	GKGC051035
**CG06005035	50	35	"	"	17	38	30	0,29	Z25CG06005035	25	GKGC050035
CG06505525	55	25	64	M60x1.5	21	43	35	0,68	Z25CG06505525	25	GKGC055025
CG06505530	55	30	"	"	"	"	"	0,54	Z25CG06505530	25	GKGC055030
CG06505535	55	35	"	"	"	"	"	0,45	Z25CG06505535	25	GKGC055035
CG07006025	60	25	69	M64x1.5	27	50	40	0,95	Z25CG07006025	25	GKGC060025
CG07006030	60	30	"	"	"	"	"	0,80	Z25CG07006030	25	GKGC060030
CG07006035	60	35	"	"	"	"	"	0,70	Z25CG07006035	25	GKGC060035
CG07006040	60	40	"	"	"	"	"	0,60	Z25CG07006040	25	GKGC060040
CG07006045	60	45	"	"	"	"	"	0,48	Z25CG07006045	25	GKGC060045
CG07306330	63	30	73	M68x1.5	25	50	40	1,08	Z20CG07306330	20	GKGC063030
CG07306332	63	32	"	"	"	"	"	0,90	Z20CG07306332	20	GKGC063032
CG07306335	63	35	"	"	"	"	"	0,98	Z20CG07306335	20	GKGC063035
CG07306336	63	36	"	"	"	"	"	0,80	Z20CG07306336	20	GKGC063036
CG07306340	63	40	"	"	"	"	"	0,62	Z20CG07306340	20	GKGC063040
CG07306345	63	45	"	"	"	"	"	0,62	Z20CG07306345	20	GKGC063045
CG07506530	65	30	74	M69x1.5	25	50	40	1,25	Z20CG07506530	20	GKGC065030
CG07506535	65	35	"	"	"	"	"	1,11	Z20CG07506535	20	GKGC065035
CG07506540	65	40	"	"	"	"	"	0,98	Z20CG07506540	20	GKGC065040
CG07506545	65	45	"	"	"	"	"	0,72	Z20CG07506545	20	GKGC065045
CG08007025	70	25	79	M74x1.5	27	50	40	1,30	Z20CG08007025	20	GKGC070025
CG08007030	70	30	"	"	"	"	"	1,17	Z20CG08007030	20	GKGC070030
CG08007035	70	35	"	"	"	"	"	1,06	Z20CG08007035	20	GKGC070035
CG08007040	70	40	"	"	"	"	"	0,94	Z20CG08007040	20	GKGC070040
CG08007045	70	45	"	"	"	"	"	0,76	Z20CG08007045	20	GKGC070045
CG08007050	70	50	"	"	"	"	"	0,66	Z20CG08007050	20	GKGC070050
CG09007530	75	30	89	M80x2	33	60	50	1,72	Z10CG09007530	10	GKGC075030
CG09007535	75	35	"	"	"	"	"	1,62	Z10CG09007535	10	GKGC075035
CG09007540	75	40	"	"	"	"	"	1,46	Z10CG09007540	10	GKGC075040
CG09007545	75	45	"	"	"	"	"	1,33	Z10CG09007545	10	GKGC075045
CG09508030	80	30	94	M85x2	33	60	50	2,25	Z10CG09508030	10	GKGC080030
CG09508035	80	35	"	"	"	"	"	1,88	Z10CG09508035	10	GKGC080035

** CG06005035 NON CONFORME PER "STL" STANDARD

** CG06005035 NOT SUITABLE FOR STANDARD "STL"

GUARNIZIONI : VEDI PAGINE 71-72

SEALS : SEE PAGES 71-72

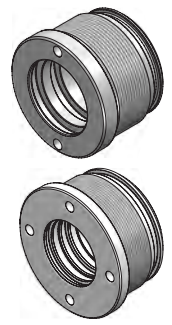
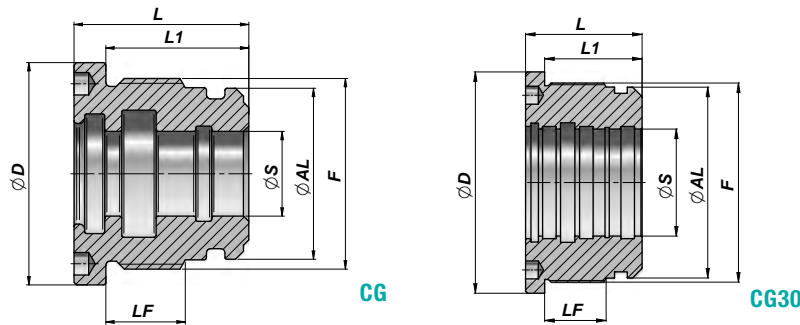
A RICHIESTA : SET GUARNIZIONI IN VITON

ON REQUEST : VITON SEAL KITS

TESTATA DI GUIDA
HEAD BUSH

CG/CG30

Series M250



Codice Code	ØAL	ØS	ØD	F	LF	L	L1	kg	Confezione Box	Pz Pcs	Set guarnizioni Seal kits
CG09508040	80	40	94	M85x2	33	60	50	1,73	Z10CG09508040	10	GKGC080040
CG09508045	80	45	"	"	"	"	"	1,58	Z10CG09508045	10	GKGC080045
CG09508050	80	50	"	"	"	"	"	1,42	Z10CG09508050	10	GKGC080050
CG09508055	80	55	"	"	"	"	"	1,40	Z10CG09508055	10	GKGC080055
CG09508060	80	60	"	"	"	"	"	1,38	Z10CG09508060	10	GKGC080060
CG10008535	85	35	99	M90x2	33	60	50	2,15	Z10CG10008535	10	GKGC085035
CG10008540	85	40	"	"	"	"	"	2,00	Z10CG10008540	10	GKGC085040
CG10008545	85	45	"	"	"	"	"	1,85	Z10CG10008545	10	GKGC085045
CG10008550	85	50	"	"	"	"	"	1,67	Z10CG10008550	10	GKGC085050
CG10509040	90	40	104	M95x2	33	60	50	2,31	Z05CG10509040	5	GKGC090040
CG10509045	90	45	"	"	"	"	"	2,16	Z05CG10509045	5	GKGC090045
CG10509050	90	50	"	"	"	"	"	1,99	Z05CG10509050	5	GKGC090050
CG10509060	90	60	"	"	"	"	"	1,57	Z05CG10509060	5	GKGC090060
CG11510040	100	40	114	M105x2	51	82	70	4,14	Z05CG11510040	5	GKGC100040
CG11510045	100	45	"	"	51	82	70	3,94	Z05CG11510045	5	GKGC100045
CG11510050	100	50	"	"	"	"	"	3,71	Z05CG11510050	5	GKGC100050
CG11510055	100	55	"	"	51	82	70	3,68	Z05CG11510055	5	GKGC100055
CG11510060	100	60	"	"	"	"	"	3,13	Z05CG11510060	5	GKGC100060
CG11510063	100	63	"	"	51	82	70	3,00	Z05CG11510063	5	GKGC100063
CG11510070	100	70	"	"	51	82	70	3,08	Z05CG11510070	5	GKGC100070
CG12511045	110	45	124	M115x2	41	72	60	4,60	Z03CG12511045	3	GKGC110045
CG12511050	110	50	"	"	"	"	"	4,40	Z03CG12511050	3	GKGC110050
CG12511060	110	60	"	"	51	82	70	4,90	Z03CG12511060	3	GKGC110060
CG12511070	110	70	"	"	"	"	"	4,70	Z03CG12511070	3	GKGC110070
CG14012050	120	50	139	M125x2	49	82	70	6,37	Z03CG14012050	3	GKGC120050
CG14012060	120	60	"	"	"	"	"	5,30	Z03CG14012060	3	GKGC120060
CG14012070	120	70	"	"	"	"	"	4,57	Z03CG14012070	3	GKGC120070
CG14012080	120	80	"	"	"	"	"	4,00	Z03CG14012080	3	GKGC120080
CG14512560	125	60	144	M130x2	59	92	80	6,63	Z02CG14512560	2	GKGC125060
CG14512570	125	70	"	"	"	"	"	5,83	Z02CG14512570	2	GKGC125070
CG14512580	125	80	"	"	"	"	"	5,20	Z02CG14512580	2	GKGC125080
CG14512590	125	90	"	"	"	"	"	4,20	Z02CG14512590	2	GKGC125090
CG16014070	140	70	159	M145x2	59	92	80	9,12			GKGC140070
CG16014080	140	80	"	"	"	"	"	8,40			GKGC140080
CG17015070	150	70	169	M155x2	69	102	90	10,58			GKGC150070
CG17015080	150	80	"	"	"	"	"	9,75			GKGC150080
CG18016080	160	80	179	M165x2	69	102	90	13,10			GKGC160080
CG18016090	160	90	"	"	"	"	"	12,07			GKGC160090
CG30											
CG30180100	180	100	210	M188x2.5	58	110	92	15,82			GKGC3180100
CG30180120	180	120	"	"	"	"	"	12,65			GKGC3180120
CG30200100	200	100	218	M208x2.5	58	110	92	20,59			GKGC3200100
CG30200120	200	120	"	"	"	"	"	17,40			GKGC3200120
CG30250120	250	120	268	M258x2.5	80	135	117	40,00			GKGC3250120
CG30250150	250	150	"	"	"	"	"	33,00			GKGC3250150

MATERIALE : GHISA OLEODINAMICA EN-GJL 250 (G25-UNI 5007/EN 1561) - * = ALLUMINIO UNI 2011-11S
 MATERIAL : HYDRAULIC CAST IRON EN-GJL 250 (G25-UNI 5007/EN 1561) - * = ALUMINIUM UNI 2011-11S

GUARNIZIONI : VEDI PAGINE 71-72

SEALS : SEE PAGES 71-72

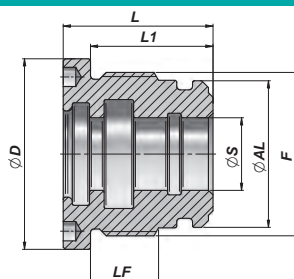
A RICHIESTA : SET GUARNIZIONI IN VITON

ON REQUEST : VITON SEAL KITS

CGMM

NEW!

TESTATA DI GUIDA
HEAD BUSH



Series M250

Codice Code	ØAL	ØS	ØD	F	LF	L	L1	kg	Confezione Box	Pz Pcs	Set guarnizioni Seal kits
CGMM114100040	100	40	114	M105x2	30	65	55	3,20	Z05CGMM114100040	5	GKGCMM100040
CGMM114100050	100	50	"	"	"	"	"	2,90	Z05CGMM114100050	5	GKGCMM100050
CGMM114100060	100	60	"	"	"	"	"	2,40	Z05CGMM114100060	5	GKGCMM100060
CGMM114100063	100	63	"	"	"	"	"	2,30	Z05CGMM114100063	5	GKGCMM100063
CGMM114100070	100	70	"	"	"	"	"	1,90	Z05CGMM114100070	5	GKGCMM100070
CGMM124110045	110	45	124	M115x2	36	70	60	4,19	Z03CGMM124110045	3	GKGCMM110045
CGMM124110050	110	50	"	"	"	"	"	3,99	Z03CGMM124110050	3	GKGCMM110050
CGMM124110060	110	60	"	"	"	"	"	3,51	Z03CGMM124110060	3	GKGCMM110060
CGMM124110070	110	70	"	"	"	"	"	2,91	Z03CGMM124110070	3	GKGCMM110070
CGMM139120050	120	50	139	M125x2	36	70	60	5,01	Z03CGMM139120050	3	GKGCMM120050
CGMM139120060	120	60	"	"	"	"	"	4,52	Z03CGMM139120060	3	GKGCMM120060
CGMM139120070	120	70	"	"	"	"	"	3,87	Z03CGMM139120070	3	GKGCMM120070
CGMM139120080	120	80	"	"	"	"	"	3,31	Z03CGMM139120080	3	GKGCMM120080
CGMM144125060	125	60	144	M130x2	41	75	65	5,40	Z02CGMM144125060	2	GKGCMM125060
CGMM144125070	125	70	"	"	"	"	"	4,72	Z02CGMM144125070	2	GKGCMM125070
CGMM144125080	125	80	"	"	"	"	"	4,11	Z02CGMM144125080	2	GKGCMM125080
CGMM144125090	125	90	"	"	"	"	"	3,27	Z02CGMM144125090	2	GKGCMM125090
CGMM159140070	140	70	159	M145x2	41	75	65	6,46			GKGCMM140070
CGMM159140080	140	80	"	"	"	"	"	5,85			GKGCMM140080
CGMM169150070	150	70	169	M155x2	46	82	70	8,55			GKGCMM150070
CGMM169150080	150	80	"	"	"	"	"	7,86			GKGCMM150080
CGMM179160080	160	80	179	M165x2	49	85	73	9,72			GKGCMM160080
CGMM179160090	160	90	"	"	"	"	"	8,79			GKGCMM160090

NON CONFORME PER "STL" STANDARD
NOT SUITABLE FOR STANDARD "STL"

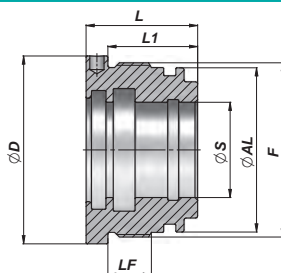
MATERIALE : GHISA OLEODINAMICA EN-GJL 250 (G25-UNI 5007/EN 1561)
MATERIAL : HYDRAULIC CAST IRON EN-GJL 250 (G25-UNI 5007/EN 1561)

GUARNIZIONI : VEDI PAGINA 72
SEALS : SEE PAGE 72

A RICHIESTA : SET GUARNIZIONI IN VITON
ON REQUEST : VITON SEAL KITS

CGLM

TESTATA DI GUIDA
HEAD BUSH



Series C200

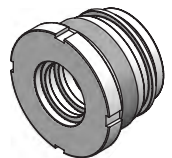
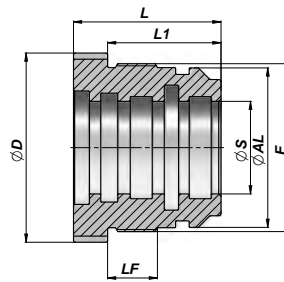
Codice Code	ØAL	ØS	ØD	F	LF	L	L1	kg	Confezione Box	Pz Pcs	Set guarnizioni Seal kits
CGLM049040020	40	20	49	M44x1.5	11	33	26	0,22	Z50CGLM040020	50	GKGCGLM040020
CGLM049040025	40	25	"	"	"	"	"	0,18	Z50CGLM040025	50	GKGCGLM040025
CGLM059050025	50	25	59	M54x1.5	13	36	28	0,38	Z25CGLM050025	25	GKGCGLM050025
CGLM059050030	50	30	"	"	"	"	"	0,31	Z25CGLM050030	25	GKGCGLM050030
CGLM069060030	60	30	69	M64x1.5	16	41	33	0,62	Z25CGLM060030	25	GKGCGLM060030
CGLM069060035	60	35	"	"	"	"	"	0,53	Z25CGLM060035	25	GKGCGLM060035
CGLM079070035	70	35	79	M74x1.5	16	41	33	0,84	Z20CGLM070035	20	GKGCGLM070035
CGLM079070040	70	40	"	"	"	"	"	0,73	Z20CGLM070040	20	GKGCGLM070040
CGLM092080040	80	40	92	M85x2	18	46	36	1,25	Z10CGLM080040	10	GKGCGLM080040
CGLM092080050	80	50	"	"	"	"	"	1,00	Z10CGLM080050	10	GKGCGLM080050
CGLM114100050	100	50	114	M105x2	22	55	45	2,30	Z10CGLM100050	10	GKGCGLM100050
CGLM114100060	100	60	"	"	"	"	"	1,95	Z10CGLM100060	10	GKGCGLM100060

MATERIALE : GHISA OLEODINAMICA EN-GJL 250 (G25-UNI 5007/EN 1561)
MATERIAL : HYDRAULIC CAST IRON EN-GJL 250 (G25-UNI 5007/EN 1561)

GUARNIZIONI : VEDI PAGINA 73
SEALS : SEE PAGE 73

A RICHIESTA : SET GUARNIZIONI IN VITON
ON REQUEST : VITON SEAL KITS

Series P350



Codice Code	ØAL	ØS	ØD	F	LF	L	L1	kg	Confezione Box	Pz Pcs	Set guarnizioni Seal kits
CGPM065050025	50	25	64	M54x1.5	22	55	45	0,66	Z25CGPM050025	25	GKGC
CGPM065050030	50	30	"	"	"	"	"	0,55	Z25CGPM050030	25	GKGC
CGPM065050035	50	35	"	"	"	"	"	0,41	Z25CGPM050035	25	GKGC
CGPM075060030	60	30	74	M64x1.5	22	60	48	0,99	Z20CGPM060030	20	GKGC
CGPM075060035	60	35	"	"	"	"	"	0,86	Z20CGPM060035	20	GKGC
CGPM075060040	60	40	"	"	"	"	"	0,70	Z20CGPM060040	20	GKGC
CGPM080063035	63	35	78	M68x1.5	22	60	48	1,04	Z10CGPM063035	10	GKGC
CGPM080063040	63	40	"	"	"	"	"	0,88	Z10CGPM063040	10	GKGC
CGPM085070035	70	35	84	M74x1.5	22	65	50	1,48	Z05CGPM070035	5	GKGC
CGPM085070040	70	40	"	"	"	"	"	1,27	Z05CGPM070040	5	GKGC
CGPM100080040	80	40	94	M85x2	25	75	60	2,18	Z05CGPM080040	5	GKGC
CGPM100080045	80	45	"	"	"	"	"	1,95	Z05CGPM080045	5	GKGC
CGPM100080050	80	50	"	"	"	"	"	1,70	Z05CGPM080050	5	GKGC
CGPM110090045	90	45	109	M95x2	25	75	60	2,80	Z05CGPM090045	5	GKGC
CGPM110090050	90	50	"	"	"	"	"	2,57	Z05CGPM090050	5	GKGC
CGPM110090060	90	60	"	"	"	"	"	2,00	Z05CGPM090060	5	GKGC
CGPM120100045	100	45	119	M105x2	25	75	60	3,80	Z05CGPM100045	5	GKGC
CGPM120100050	100	50	"	"	"	"	"	3,45	Z05CGPM100050	5	GKGC
CGPM120100060	100	60	"	"	"	"	"	2,90	Z05CGPM100060	5	GKGC
CGPM130110050	110	50	129	M115x2	30	85	70	5,00	Z03CGPM110050	3	GKGC
CGPM130110060	110	60	"	"	"	"	"	4,42	Z03CGPM110060	3	GKGC
CGPM140120060	120	60	139	M125x2	30	85	70	5,70	Z02CGPM120060	2	GKGC
CGPM140120070	120	70	"	"	"	"	"	4,90	Z02CGPM120070	2	GKGC
CGPM140120080	120	80	"	"	"	"	"	3,96	Z02CGPM120080	2	GKGC
CGPM145125070	125	70	144	M130x2	39	90	75	5,99	Z02CGPM125070	2	GKGC
CGPM145125080	125	80	"	"	"	"	"	4,95	Z02CGPM125080	2	GKGC
CGPM160140080	140	80	159	M145x2	40	90	75	7,20			GKGC
CGPM160140090	140	90	"	"	"	"	"	6,21			GKGC
CGPM160140100	140	100	"	"	"	"	"	5,00			GKGC
CGPM170150080	150	80	169	M155x2	46	100	85	9,85			GKGC
CGPM170150090	150	90	"	"	"	"	"	8,73			GKGC
CGPM170150100	150	100	"	"	"	"	"	7,49			GKGC
CGPM180160100	160	100	179	M165x2	46	100	85	9,40			GKGC
CGPM180160120	160	120	"	"	"	"	"	6,40			GKGC
CGPM215180100	180	100	215	M188x2.5	60	125	107	18,06			GKGC
CGPM215180120	180	120	"	"	"	"	"	14,35			GKGC
CGPM225200100	200	100	225	M208x2.5	60	125	107	23,61			GKGC
CGPM225200120	200	120	"	"	"	"	"	19,92			GKGC
CGPM225200140	200	140	"	"	"	"	"	16,03			GKGC
CGPM245220120	220	120	245	M228x2.5	65	130	112	27,82			GKGC
CGPM245220140	220	140	"	"	"	"	"	23,78			GKGC
CGPM275250150	250	150	275	M258x2.5	80	150	130	37,42			GKGC
CGPM275250180	250	180	"	"	"	"	"	27,73			GKGC
CGPM335300150	300	150	335	M308x3	95	180	155	77,05			GKGC
CGPM335300180	300	180	"	"	"	"	"	65,48			GKGC

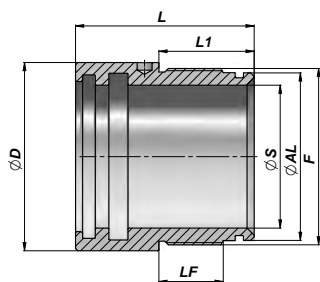
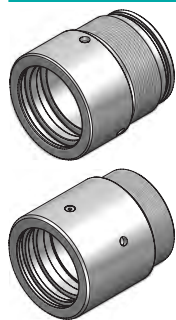
MATERIALE : ACCIAIO UNI C 40
MATERIAL : STEEL UNI C 40

GUARNIZIONI : VEDI PAGINA 73
SEALS : SEE PAGE 73

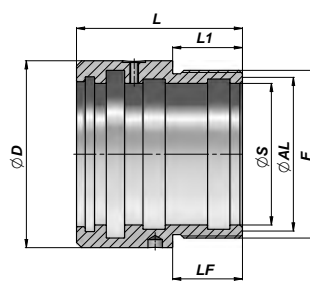
CGT

TESTATA DI GUIDA
HEAD BUSH

Series M250



TYPE 1



TYPE 2

Codice Code	TYPE	ØS	ØAL	ØD	F	LF	L	L1	kg	Confezione Box	Pz Pcs	Set guarnizioni Seal kits
CGT0200300	1	20	30	39.0	M34x1.5	15	57	27	0.29	Z25CGT0200300	25	GKGT020030
CGT0250350	1	25	35	44.0	M39x1.5	19	65	32	0.33	Z25CGT0250350	25	GKGT025035
CGT0300400	1	30	40	49.0	M44x1.5	19	65	32	0.38	Z25CGT0300400	25	GKGT030040
CGT0350450	1	35	45	54.0	M49x1.5	19	65	32	0.44	Z12CGT0350450	12	GKGT035045
CGT0400500	1	40	50	59.0	M54x1.5	22	70	35	0.51	Z12CGT0400500	12	GKGT040050
CGT0450550	1	45	55	64.0	M60x1.5	22	70	35	0.59	Z12CGT0450550	12	GKGT045055
CGT0500600	1	50	60	69.0	M64x1.5	22	75	40	0.64	Z12CGT0500600	12	GKGT050060
CGT0600700	1	60	70	79.0	M74x1.5	27	75	40	0.75	Z10CGT0600700	10	GKGT060070
CGT0700900	2	70	85	100.0	M90x2	30	90	30	1.92	Z05CGT0700900	5	GKGT070000
CGT0800960	2	80	90	107.0	M96x2	40	95	40	1.98	Z05CGT0800960	5	GKGT080000
CGT1001240	2	100	120	138.5	M124x2	42	157	42	7.10	Z02CGT1001240	2	GKGT100000

MATERIALE TYPE 1 : GHISA OLEODINAMICA EN-GJL 250 (G25-UNI 5007/EN 1561)
TYPE 1 MATERIAL : HYDRAULIC CAST IRON EN-GJL 250 (G25-UNI 5007/EN 1561)

MATERIALE TYPE 2 : ACCIAIO St 52.3 / UNI C40
TYPE 2 MATERIAL : STEEL St 52.3 / UNI C40

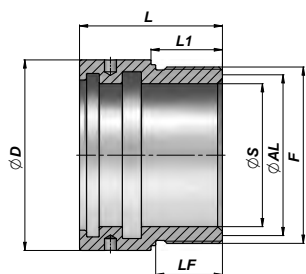
GUARNIZIONI : VEDI PAGINA 74
SEALS : SEE PAGE 74

A RICHIESTA : SET GUARNIZIONI IN VITON
ON REQUEST : VITON SEAL KITS

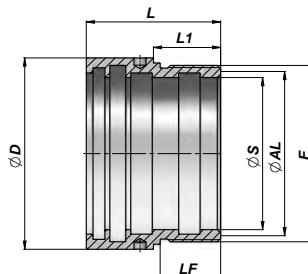
CGHFRT

TESTATA DI GUIDA
HEAD BUSH

Series M250



TYPE 1



TYPE 2

Codice Code	TYPE	ØS	ØAL	ØD	F	LF	L	L1	kg	Confezione Box	Pz Pcs	Set guarnizioni Seal kits
CGHFRT0020	1	20	30	40	M34x1.5	18	42	20	0.21	Z50CGHFRT0020	50	GKGFRT020
CGHFRT0025	1	25	30	40	M34x1.5	18	42	20	0.15	Z50CGHFRT0025	50	GKGFRT025
CGHFRT0030	1	30	40	50	M44x1.5	19	46	21	0.33	Z50CGHFRT0030	50	GKGFRT030
CGHFRT0035	1	35	40	50	M44x1.5	19	46	21	0.22	Z50CGHFRT0035	50	GKGFRT035
CGHFRT0040	1	40	50	60	M54x1.5	28	59	30	0.52	Z25CGHFRT0040	25	GKGFRT040
CGHFRT0045	1	45	50	60	M54x1.5	28	59	30	0.37	Z25CGHFRT0045	25	GKGFRT045
CGHFRT0050	1	50	60	70	M64x1.5	28	60	30	0.62	Z25CGHFRT0050	25	GKGFRT050
CGHFRT0060	1	60	70	80	M74x1.5	28	60	30	0.73	Z20CGHFRT0060	20	GKGFRT060
CGHFRT0070	2	70	80	95	M85x2	32	70	35	1.00	Z05CGHFRT0070	5	GKGFRT070
CGHFRT0080	2	80	90	105	M95x2	36	80	40	1.41	Z05CGHFRT0080	5	GKGFRT080
CGHFRT0090	2	90	100	115	M105x2	36	80	40	1.49	Z05CGHFRT0090	5	GKGFRT090
CGHFRT0100	2	100	110	125	M115x2	45	100	50	2.10	Z03CGHFRT0100	3	GKGFRT100

MATERIALE TYPE 1 : ACCIAIO 9SMn28 CON TRATTAMENTO "NI-TEMPER"
TYPE 1 MATERIAL : STEEL 9SMn28 WITH "NI-TEMPER" TREATMENT

MATERIALE TYPE 2 : ACCIAIO St 52.3 / UNI C40
TYPE 2 MATERIAL : STEEL St 52.3 / UNI C40

GUARNIZIONI : VEDI PAGINA 74
SEALS : SEE PAGE 74

A RICHIESTA : SET GUARNIZIONI IN VITON
ON REQUEST : VITON SEAL KITS

KIT GUARNIZIONI PER TESTATA DI GUIDA "CG"
SEAL KITS FOR "CG" HEAD BUSH

Series M250

GKGGC

Codice Code	Alesaggio/Stelo Bore/Rod	O-Ring Dowty	GHK	TTI-L TTS - TSE	O-Ring Dowty
					GDS
GKGGC025016	25 / 16	814	062087	TTI 16-24/L	-
GKGGC030016	30 / 16	025	062087	TTI 16-24/L	120
GKGGC032016	32 / 16	120	062087	TTI 16-24/L	121
GKGGC032020	32 / 20	120	078110	TTI 20-28/L	121
GKGGC035020	35 / 20	122	078110	TTI 20-28/L	216
GKGGC035022	35 / 22	122	086118	TTS 545	216
GKGGC040020	40 / 20	126	078110	TTI 20-28/L	219
GKGGC040022	40 / 22	126	086118	TTS 545	219
GKGGC040025	40 / 25	126	098129	TTI 25-33/L	219
GKGGC040028	40 / 28	126	110141	TTI 28-36	219
GKGGC045022	45 / 22	130	086118	TTS 545	222
GKGGC045025	45 / 25	130	098129	TTI 25-33/L	222
GKGGC050020	50 / 20	132	078110	TTI 20-28/L	826
GKGGC050025	50 / 25	132	098129	TTI 25-35/L	826
GKGGC050028	50 / 28	132	110141	TTI 28-36	826
GKGGC050030	50 / 30	132	118149	TTI 30-40/1L	826
GKGGC050032	50 / 32	132	125157	TTI 32-42	826
GKGGC051035	50 / 35	132	137169	TTS 596	826
GKGGC050035	50 / 35	132	137169	TTS 596	132
GKGGC055025	55 / 25	135	098128	TTI 25-35/L	830
GKGGC055030	55 / 30	135	118149	TTI 30-40/1L	830
GKGGC055035	55 / 35	135	137169	TTI 35-45/L	830
GKGGC060025	60 / 25	138	098129	TTI 25-35/L	832
GKGGC060030	60 / 30	138	118149	TTI 30-40/1L	832
GKGGC060035	60 / 35	138	137169	TTI 35-45/L	832
GKGGC060040	60 / 40	138	157188	TTI 40-48/L	832
GKGGC060045	60 / 45	138	177208	TTI 45-55/2L	832
GKGGC063030	63 / 30	140	118149	TTI 30-40/1L	835
GKGGC063032	63 / 32	140	125157	TTI 32-42	835
GKGGC063035	63 / 35	140	137169	TTI 35-45/L	835
GKGGC063036	63 / 36	140	141173	TTI 36-44/L	835
GKGGC063040	63 / 40	140	157188	TTI 40-48/L	835
GKGGC063045	63 / 45	140	177208	TTI 45-55/2L	835
GKGGC065030	65 / 30	141	118149	TTI 30-40/1L	836
GKGGC065035	65 / 35	141	137169	TTI 35-45/L	836
GKGGC065040	65 / 40	141	157188	TTI 40-48/L	836
GKGGC065045	65 / 45	141	177208	TTS 634	836
GKGGC070025	70 / 25	145	098129	TTI 25-35/L	839
GKGGC070030	70 / 30	145	118149	TTI 30-40/1L	839
GKGGC070035	70 / 35	145	137169	TTI 35-45/L	839
GKGGC070040	70 / 40	145	157188	TTI 40-50/3L	839
GKGGC070045	70 / 45	145	177208	TTI 45-55/2L	839
GKGGC070050	70 / 50	145	196228	TTI 50-60/L	839
GKGGC075030	75 / 30	146	118149	TTI 30-40/1L	842
GKGGC075035	75 / 35	146	137169	TTI 35-45/L	842
GKGGC075040	75 / 40	146	157188	TTI 40-50/3L	842
GKGGC075045	75 / 45	146	177208	TTI 45-55/2L	842
GKGGC080030	80 / 30	149	118149	TTI 30-40/1L	GDS 845
GKGGC080035	80 / 35	149	137169	TTI 35-45/L	GDS 845
GKGGC080040	80 / 40	149	157188	TTI 40-50/3L	GDS 845
GKGGC080045	80 / 45	149	177208	TTI 45-55/2L	GDS 845
GKGGC080050	80 / 50	149	196228	TTI 50-60/L	GDS 845
GKGGC080055	80 / 55	149	216248	TTS 668	GDS 845
GKGGC080060	80 / 60	149	236267	TSE 283236	GDS 845
GKGGC085035	85 / 35	151	137169	TTI 35-45/L	619
GKGGC085040	85 / 40	151	157188	TTI 40-50/3L	619
GKGGC085045	85 / 45	151	177208	TTI 45-55/2L	619
GKGGC085050	85 / 50	151	196228	TTI 50-60/L	619
GKGGC090040	90 / 40	152	157188	TTI 40-50/3L	GDS 620
GKGGC090045	90 / 45	152	177208	TTI 45-55/2L	GDS 620
GKGGC090050	90 / 50	152	196228	TTI 50-60/L	GDS 620
GKGGC090060	90 / 60	152	236267	TSE 283236	GDS 620

GKGGC

Series M250

KIT GUARNIZIONI PER TESTATA DI GUIDA "CG"
SEAL KITS FOR "CG" HEAD BUSH

Codice Code	Alesaggio/Stelo Bore/Rod	O-Ring Dowty	GHK	TTI-L TTS - TSE	O-Ring Dowty
					GDS
GKGGC100040	100 / 40	153	157188	TTI 40-50/3L	GDS 621
GKGGC100045	100 / 45	153	177208	TTI 45-55/2L	GDS 621
GKGGC100050	100 / 50	153	196228	TTI 50-60/L	GDS 621
GKGGC100055	100 / 55	153	216248	TTS 668	GDS 621
GKGGC100060	100 / 60	153	236267	TSE 283236	GDS 621
GKGGC100063	100 / 63	153	248279	TTI 63-75/L	GDS 621
GKGGC100070	100 / 70	153	275307	TSE 334275/1	GDS 621
GKGGC110045	110 / 45	154	177208	TTI 45-55/2L	GDS 622
GKGGC110050	110 / 50	154	196228	TTI 50-60/L	GDS 622
GKGGC110060	110 / 60	154	236267	TSE 283236	GDS 622
GKGGC110070	110 / 70	154	275307	TSE 334275/1	GDS 622
GKGGC120050	120 / 50	156	196228	TTI 50-60/L	GDS 623
GKGGC120060	120 / 60	156	236267	TSE 283236	GDS 623
GKGGC120070	120 / 70	156	275322	TSE 334275/1	GDS 623
GKGGC120080	120 / 80	156	314346	TSE 377314/AI	GDS 623
GKGGC125060	125 / 60	157	236267	TSE 283236	GDS 349
GKGGC125070	125 / 70	157	275322	TSE 334275/1	GDS 349
GKGGC125080	125 / 80	157	314346	TSE 377314/AI	GDS 349
GKGGC125090	125 / 90	157	354401	TSE 413354/1/AI	GDS 349
GKGGC140070	140 / 70	159	275322	TSE 334275/1	GDS 864
GKGGC140080	140 / 80	159	314346	TSE 377314/AI	GDS 864
GKGGC150070	150 / 70	160	275322	TSE 334275/1	GDS 867
GKGGC150080	150 / 80	160	314346	TSE 377314/AI	GDS 867
GKGGC160080	160 / 80	161	314346	TSE 377314/AI	GDS 870
GKGGC160090	160 / 90	161	354401	TSE 413354/1/AI	GDS 870

GKGGC

Series M250

KIT GUARNIZIONI PER TESTATA DI GUIDA "CG"
SEAL KITS FOR "CG" HEAD BUSH

Codice Code	Alesaggio/Stelo Bore/Rod	O-Ring Dowty	GHK	TTI-L TTS - TSE	O-Ring + GKS	AGI x3
					Dowty	
GKGGC3180100	180 / 100	262	393440	TSE 444393/AI	628	100
GKGGC3180120	180 / 120	262	472519	TSE 531472/AI	628	120
GKGGC3200100	200 / 100	265	393440	TSE 444393/AI	882	100
GKGGC3200120	200 / 120	265	472519	TSE 531472/AI	882	120
GKGGC3250120	250 / 120	272	472519	TSE 531472/AI	678	120
GKGGC3250150	250 / 150	272	590637	TSE 669590/AI	678	150

GKGGCMM

Series M250

NEW!

KIT GUARNIZIONI PER TESTATA DI GUIDA "CGMM"
SEAL KITS FOR "CGMM" HEAD BUSH

Codice Code	Alesaggio/Stelo Bore/Rod	O-Ring Dowty	GHK	TTI-L TTS - TSE	O-Ring Dowty
					GDS
GKGGCMM100040	100 / 40	153	157188	TTI 40-50/3L	GDS 621
GKGGCMM100050	100 / 50	153	196228	TTI 50-60/L	GDS 621
GKGGCMM100060	100 / 60	153	236267	TSE 283236	GDS 621
GKGGCMM100063	100 / 63	153	248279	TTI 63-75/L	GDS 621
GKGGCMM100070	100 / 70	153	275307	TSE 334275/1	GDS 621
GKGGCMM110045	110 / 45	154	177208	TTI 45-55/2L	GDS 622
GKGGCMM110050	110 / 50	154	196228	TTI 50-60/L	GDS 622
GKGGCMM110060	110 / 60	154	236267	TSE 283236	GDS 622
GKGGCMM110070	110 / 70	154	275307	TSE 334275/1	GDS 622
GKGGCMM120050	120 / 50	156	196228	TTI 50-60/L	GDS 623
GKGGCMM120060	120 / 60	156	236267	TSE 283236	GDS 623
GKGGCMM120070	120 / 70	156	275322	TSE 334275/1	GDS 623
GKGGCMM120080	120 / 80	156	314346	TSE 377314/AI	GDS 623
GKGGCMM125060	125 / 60	157	236267	TSE 283236	GDS 349
GKGGCMM125070	125 / 70	157	275322	TSE 334275/1	GDS 349
GKGGCMM125080	125 / 80	157	314346	TSE 377314/AI	GDS 349
GKGGCMM125090	125 / 90	157	354401	TSE 413354/1/AI	GDS 349
GKGGCMM140070	140 / 70	159	275322	TSE 334275/1	GDS 864
GKGGCMM140080	140 / 80	159	314346	TSE 377314/AI	GDS 864
GKGGCMM150070	150 / 70	160	275322	TSE 334275/1	GDS 867
GKGGCMM150080	150 / 80	160	314346	TSE 377314/AI	GDS 867
GKGGCMM160080	160 / 80	161	314346	TSE 377314/AI	GDS 870
GKGGCMM160090	160 / 90	161	354401	TSE 413354/1/AI	GDS 870

KIT GUARNIZIONI PER TESTATA DI GUIDA "CGLM"
SEAL KITS FOR "CGLM" HEAD BUSH

Series C200

GKGCGLM

Codice Code	Alesaggio/Stelo Bore/Rod	O-Ring Dowty	GHK	TTI-L TTS - TSE	O-Ring Dowty
GKGCGLM040020	40 / 20	129	078110	TTI 20-28/L	219
GKGCGLM040025	40 / 25	129	098129	TTI 25-33/L	219
GKGCGLM050025	50 / 25	135	098129	TTI 25-33/L	826
GKGCGLM050030	50 / 30	135	118149	TTI 30-40/1L	826
GKGCGLM060030	60 / 30	142	118149	TTI 30-40/1L	832
GKGCGLM060035	60 / 35	142	137169	TTI 35-45/L	832
GKGCGLM070035	70 / 35	148	137169	TTI 35-45/L	839
GKGCGLM070040	70 / 40	148	157188	TTI 40-50/3L	839
GKGCGLM080040	80 / 40	151	157188	TTI 40-50/3L	845
GKGCGLM080050	80 / 50	151	196228	TTI 50-60/L	845
GKGCGLM100050	100 / 50	241	196228	TTI 50-60/L	621
GKGCGLM100060	100 / 60	241	236267	TSE 283236	621

KIT GUARNIZIONI PER TESTATA DI GUIDA "CGPM"
SEAL KITS FOR "CGPM" HEAD BUSH

Series P350

GKGCGPM

Codice Code	Alesaggio/Stelo Bore/Rod	GAF		GHM/C	O-Ring Dowty	GIR	GKS	O-Ring Dowty	TTX		
GKGCGPM050025	50 / 25	n°3	25x 30x 5.6	25x 35x 7/10	826	-	826	135	1301	-BR	
GKGCGPM050030	50 / 30	n°3	30x 35x 5.6	30x 40x 7/10	826	-	826	135	1303	-BR	
GKGCGPM050035	50 / 35	n°3	35x 40x 5.6	35x 45x 7/10	826	-	826	135	1305	-BR	
GKGCGPM060030	60 / 30	n°2	30x 35x 5.6	n°1 30x 35x 9.7	832	-	832	142	1303	-BR	
GKGCGPM060035	60 / 35	n°2	35x 40x 5.6	n°1 35x 40x 9.7	832	-	832	142	1305	-BR	
GKGCGPM060040	60 / 40	n°2	40x 45x 5.6	n°1 40x 45x 9.7	832	-	832	142	1308	-BR	
GKGCGPM063035	63 / 35	n°2	35x 40x 5.6	n°1 35x 40x 9.7	835	-	835	145	1305	-BR	
GKGCGPM063040	63 / 40	n°2	40x 45x 5.6	n°1 40x 45x 9.7	835	-	835	145	1308	-BR	
GKGCGPM070035	70 / 35	n°2	35x 40x 9.7	35x 45x 7/10	839	0350	839	148	1305	-BR	
GKGCGPM070040	70 / 40	n°2	40x 45x 9.7	40x 50x 7/10	839	0400	839	148	1307/1	-BR	
GKGCGPM080040	80 / 40	n°2	40x 45x 9.7	40x 50x 7/10	845	0400	845	151	1307/1	-BR	
GKGCGPM080045	80 / 45	n°2	45x 50x 9.7	45x 55x 7/10	845	0450	845	151	1309	-BR	
GKGCGPM080050	80 / 50	n°2	50x 55x 9.7	50x 60x 7/10	845	0500	845	151	1310	-BR	
GKGCGPM090045	90 / 45	n°2	45x 50x 9.7	45x 55x 7/10	620	0450	620	153	1309	-BR	
GKGCGPM090050	90 / 50	n°2	50x 55x 9.7	50x 60x 7/10	620	0500	620	153	1310	-BR	
GKGCGPM090060	90 / 60	n°2	60x 65x 9.7	60x 70x 7/10	620	0600	620	153	1314/2	-BR	
GKGCGPM100045	100 / 45	n°2	45x 50x 9.7	45x 55x 7/10	621	0450	621	154	1309	-BR	
GKGCGPM100050	100 / 50	n°2	50x 55x 9.7	50x 60x 7/10	621	0500	621	154	1310	-BR	
GKGCGPM100060	100 / 60	n°2	60x 65x 9.7	60x 70x 7/10	621	0600	621	154	1314/2	-BR	
GKGCGPM110050	110 / 50	n°2	50x 55x 9.7	50x 60x 7/10	345	0500	345	156	1310	-BR	
GKGCGPM110060	110 / 60	n°2	60x 65x 9.7	60x 70x 7/10	345	0600	345	156	1314/2	-BR	
GKGCGPM120060	120 / 60	n°2	60x 65x 9.7	60x 70x 7/10	348	0600	348	158	1314/2	-BR	
GKGCGPM120070	120 / 70	n°2	70x 75x 9.7	70x 60x 7/10	348	0700	348	158	1322	-BR	
GKGCGPM120080	120 / 80	n°2	80x 85x 9.7	90x 80x 7/10	348	0800	348	158	1331	-BR	
GKGCGPM125070	125 / 70	n°3	70x 75x 9.7	70x 80x 7/10	349	0700	349	249	1322	-BR	
GKGCGPM125080	125 / 80	n°3	80x 85x 9.7	80x 90x 7/10	349	0800	349	249	1331	-BR	
GKGCGPM140080	140 / 80	n°3	80x 85x 9.7	80x 90x 7/10	864	0800	864	254	1331	-BR	
GKGCGPM140090	140 / 90	n°3	90x 95x 9.7	90x100x 7/10	864	0900	864	254	1337	-BR	
GKGCGPM140100	140 / 100	n°3	100x105x 9.7	100x110x 7/10	864	1000	864	254	1341/1	-BR	
GKGCGPM150080	150 / 80	n°3	80x 85x 9.7	80x 90x 7/10	867	0800	867	257	1331	-BR	
GKGCGPM150090	150 / 90	n°3	90x 95x 9.7	90x100x 7/10	867	0900	867	257	1337	-BR	
GKGCGPM150100	150 / 100	n°3	100x105x 9.7	100x110x 7/10	867	1000	867	257	1341/1	-BR	
GKGCGPM160100	160 / 100	n°3	100x105x 9.7	100x110x 7/10	870	1000	870	259	1341/1	-BR	
GKGCGPM160120	160 / 120	n°3	120x125x 9.7	120x130x 7/10	870	1200	870	259	1348	-BR	
GKGCGPM180100	180 / 100	n°2	100x105x 9.7	n°2 100x105x15	100x110x 7/10	628	1000	628	263	1341/1	-BR
GKGCGPM180120	180 / 120	n°2	120x125x 9.7	n°2 120x125x15	120x130x 7/10	628	1200	628	263	1348	-BR
GKGCGPM200100	200 / 100	n°2	100x105x 9.7	n°2 100x105x15	100x110x 7/10	882	1000	882	266	1341/1	-BR
GKGCGPM200120	200 / 120	n°2	120x125x 9.7	n°2 120x125x15	120x130x 7/10	882	1200	882	266	1348	-BR
GKGCGPM200140	200 / 140	n°2	140x145x 9.7	n°2 140x145x15	140x155x 9/12	882	1400	882	266	1350/1	-BR
GKGCGPM220120	220 / 120	n°2	120x125x 9.7	n°2 120x125x15	120x130x 7/10	674	1200	674	269	1348	-BR
GKGCGPM220140	220 / 140	n°2	140x145x 9.7	n°2 140x145x15	140x155x 9/12	674	1400	674	269	1350/1	-BR
GKGCGPM250150	250 / 150	n°2	150x155x 9.7	n°2 150x155x25	150x165x 9/12	678	1500	678	274	1350/2A	-BR
GKGCGPM250180	250 / 180	n°2	180x185x 9.7	n°2 180x185x25	180x195x10/14	678	1800	678	274	1350/4	-BR
GKGCGPM300150	300 / 150	n°2	150x155x12.5	n°2 150x155x30	150x165x 9/12	686	1500	686	277	1350/2A	-BR
GKGCGPM300180	300 / 180	n°2	180x185x12.5	n°2 180x185x30	180x195x10/14	686	1800	686	277	1350/4	-BR

GKGT

Series M250

KIT GUARNIZIONI PER TESTATA DI GUIDA "CGT"
SEAL KITS FOR "CGT" HEAD BUSH

Codice Code	Stelo Rod	O-Ring Dowty	GHK	TTI-L TTS - TSE	O-Ring Dowty	AGI x2
GKGT020030	20	120	078110	TTI 20-28/L	025	-
GKGT025035	25	123	098129	TTI 25-33/L	123	-
GKGT030040	30	126	118149	TTI 30-38/L	126	-
GKGT035045	35	129	137169	TTS 596	129	-
GKGT040050	40	132	157188	TTI 40-48/L	132	-
GKGT045055	45	136	177208	TTI 45-55/2L	136	-
GKGT050060	50	138	196228	TTI 50-60/L	138	-
GKGT060070	60	145	236267	TSE 275236	145	-
GKGT070000	70	237	275322	TSE 334275/1	-	76x 70x12.8
GKGT080000	80	239	314346	TSE 377314/AI	-	86x 80x12.8
GKGT100000	100	248	393440	TSE 444393/AI	-	106x100x12.8

GKGFRT

Series M250

KIT GUARNIZIONI PER TESTATA DI GUIDA "CGHFRT"
SEAL KITS FOR "CGHFRT" HEAD BUSH

Codice Code	Stelo Rod	GHK	TTI-L TTS - TSE	O-Ring 90 Sh. Dowty	AGI x2
GKGFRT020	20	078110	TTI 20-28/L	123	-
GKGFRT025	25	098129	TTI 25-33/L	123	-
GKGFRT030	30	118149	TTI 30-38/L	129	-
GKGFRT035	35	137169	TTI 35-43	129	-
GKGFRT040	40	157188	TTI 40-48/L	136	-
GKGFRT045	45	177208	TTS 634	136	-
GKGFRT050	50	196228	TTI 50-60/L	142	-
GKGFRT060	60	236267	TTI 60-70/L	149	-
GKGFRT070	70	275307	TTI 70-80	235	76x 70x12.8
GKGFRT080	80	314346	TTI 80-90	238	86x 80x12.8
GKGFRT090	90	354401	TTI 90-105/2	242	96x 90x12.8
GKGFRT100	100	393440	TTI 100-113/1	245	106x100x12.8